

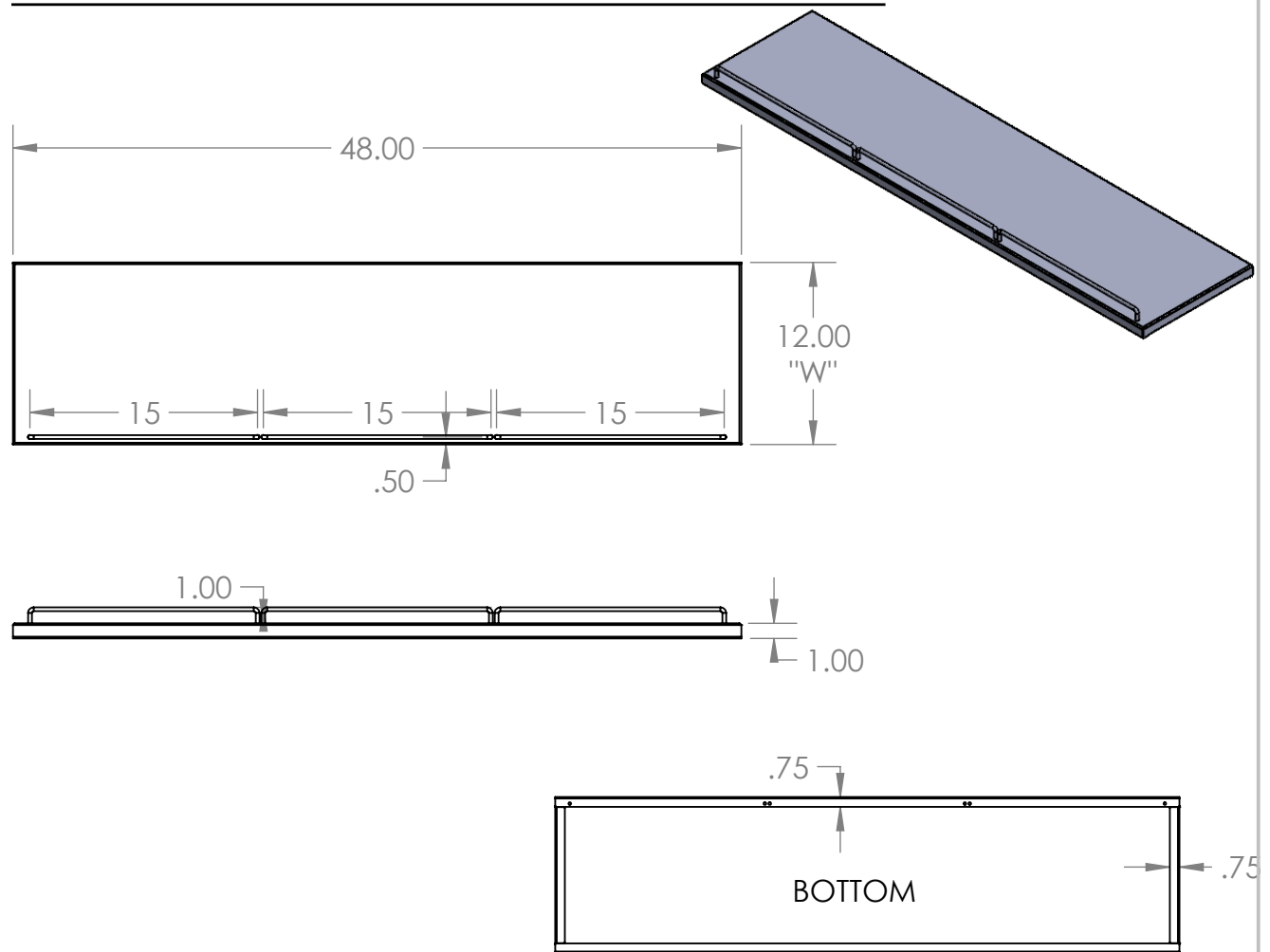
WS-SLFO "WALL SHELF WITH SEISMIC LIP FRONT ONLY

Stainless Steel wall shelf with seismic lips in front only

Features

- 48"L x 12"W x 1"T
- Type 304, 1/4" diameter seismic lips welded to shelf
- Constructed from 18 gauge, type 304 stainless steel, polished to a #4 finish
- Standard widths of 12" or 16"
- Also available in custom widths
- *OPTIONAL*
- Seismic lips can be drilled & tapped for #10-24 screw for additional cost instead of welded to shelf

Product Dimensions



UNLESS OTHERWISE SPECIFIED:

DIMENSIONS ARE IN INCHES
TOLERANCES:
ANGULAR ±2.50°
ONE-PLACE ±0.5
TWO-PLACE ±0.13

PROPRIETARY AND CONFIDENTIAL

THE INFORMATION CONTAINED IN THIS DRAWING IS THE SOLE PROPERTY OF INTER DYNE SYSTEMS. ANY REPRODUCTION IN PART OR AS A WHOLE WITHOUT THE WRITTEN PERMISSION OF INTER DYNE SYSTEMS IS PROHIBITED.

| REV. | REVISION DESCRIPTION | DRAWN | CHECKED | DATE | COMMENTS: |
|------|------------------------|-------|---------|----------|-----------|
| A | STANDARD PRINT CREATED | ASR | | 05/25/22 | |
| | | | | | |
| | | | | | |
| | | | | | |
| | | | | | |
| | | | | | |
| | | | | | |

QTY:



INTER DYNE SYSTEMS, INC

676 E. Ellis Rd., Norton Shores, MI 49441
Phone: 231-799-8760 Fax: 231-799-9690

PART NO.

WS-4812-SLFO

MATERIAL: **18GA**

FINISH: **304 #4**