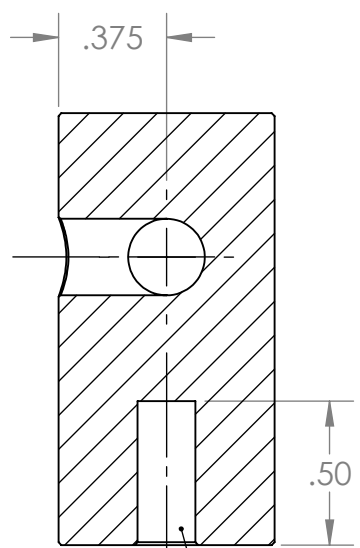
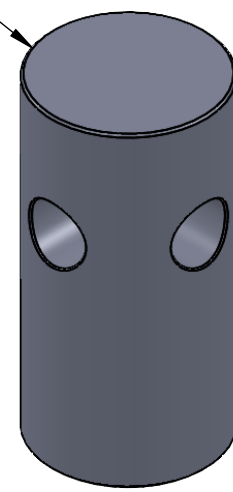
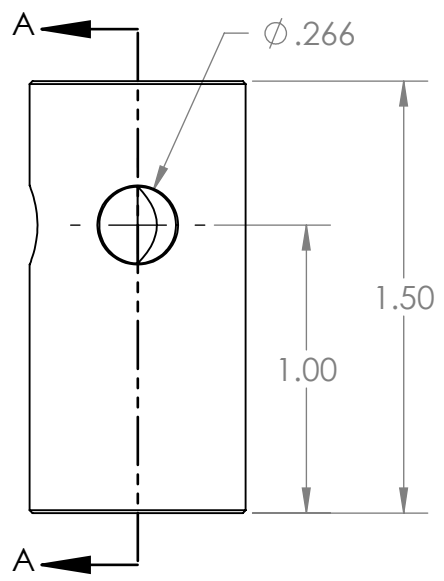


45DEG CHAMFER  
ALL EDGES



SECTION A-A  
SCALE 1.5 : 1

DRILLED AND TAPPED  
FOR 1/4-20 SCREW



**UNLESS OTHERWISE SPECIFIED:**  
DIMENSIONS ARE IN INCHES  
TOLERANCES:  
ANGULAR  $\pm 2.50^\circ$   
ONE-PLACE  $\pm 0.5$   
TWO-PLACE  $\pm 0.13$

**PROPRIETARY AND CONFIDENTIAL**  
THE INFORMATION CONTAINED IN  
THIS DRAWING IS THE SOLE  
PROPERTY OF INTER DYNE SYSTEMS.  
ANY REPRODUCTION IN PART OR  
AS A WHOLE WITHOUT THE WRITTEN  
PERMISSION OF INTER DYNE  
SYSTEMS IS PROHIBITED.

| REV. | REVISION DESCRIPTION | DRAWN | CHECKED | DATE     | COMMENTS: |
|------|----------------------|-------|---------|----------|-----------|
| A    | SUBMITTALS SENT      | JJF   |         | --/--/-- |           |
|      |                      |       |         |          |           |
|      |                      |       |         |          |           |
|      |                      |       |         |          |           |
|      |                      |       |         |          |           |



**INTER DYNE  
SYSTEMS, INC**  
676 E. Ellis Rd., Norton Shores, MI 49441  
Phone: 231-799-8760 Fax: 231-799-9690

**PART NO.**  
CT-1-5 X 0-75 FOR 0-25 ROD

**QTY: N/A**

MATERIAL: FINISH: **303**