

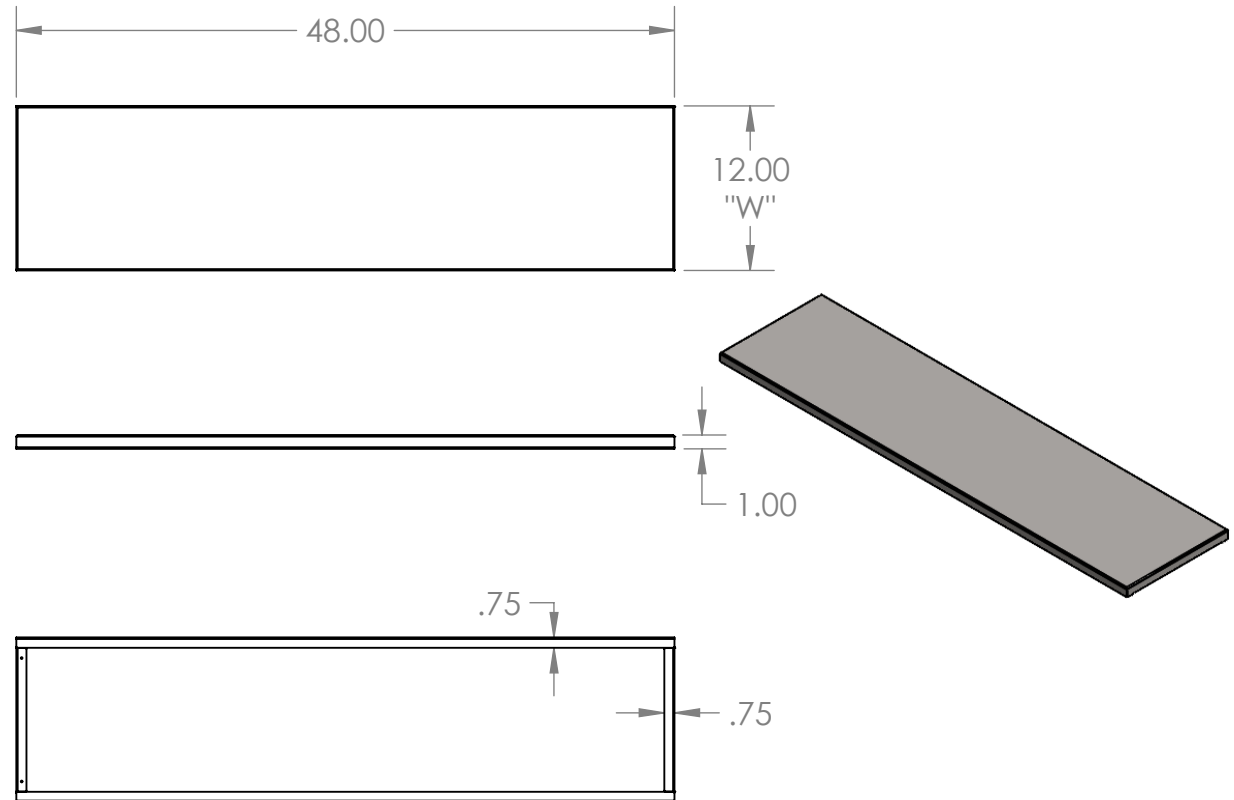
## WALL SHELF

Stainless Steel wall shelf

### Features

- 48"L x 12"W x 1"T
- Constructed from 18 gauge, type 304 stainless steel, polished to a #4 finish
- Standard widths of 12" or 16"
- Also available in custom widths

## Product Dimensions



#### UNLESS OTHERWISE SPECIFIED:

DIMENSIONS ARE IN INCHES  
TOLERANCES:  
ANGULAR ±2.50°  
ONE-PLACE ±0.5  
TWO-PLACE ±0.13

#### PROPRIETARY AND CONFIDENTIAL

THE INFORMATION CONTAINED IN THIS DRAWING IS THE SOLE PROPERTY OF INTER DYNE SYSTEMS. ANY REPRODUCTION IN PART OR AS A WHOLE WITHOUT THE WRITTEN PERMISSION OF INTER DYNE SYSTEMS IS PROHIBITED.

| REV. | REVISION DESCRIPTION   | DRAWN | CHECKED | DATE     | COMMENTS: |
|------|------------------------|-------|---------|----------|-----------|
| A    | STANDARD PRINT CREATED | ASR   |         | 10/22/20 |           |
|      |                        |       |         |          |           |
|      |                        |       |         |          |           |
|      |                        |       |         |          |           |
|      |                        |       |         |          |           |
|      |                        |       |         |          |           |
|      |                        |       |         |          |           |
|      |                        |       |         |          |           |
|      |                        |       |         |          |           |
|      |                        |       |         |          |           |

**QTY: N/A**



**INTER DYNE  
SYSTEMS, INC**

676 E. Ellis Rd., Norton Shores, MI 49441  
Phone: 231-799-8760 Fax: 231-799-9690

**PART NO.**

**WS-4812**

MATERIAL: **18GA**

FINISH: **304 #4**