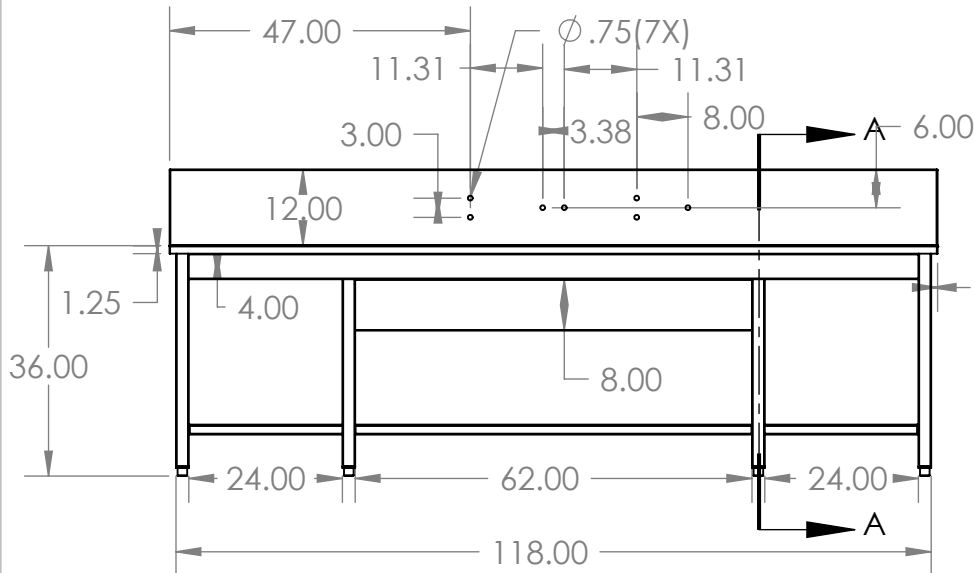
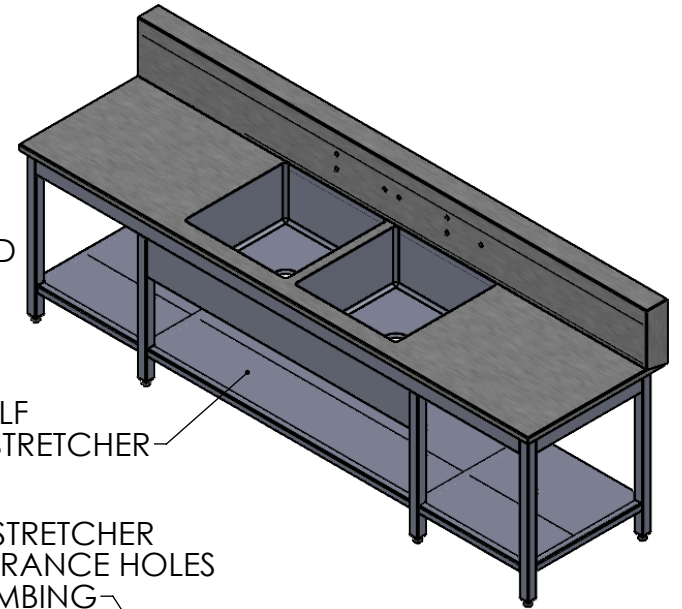
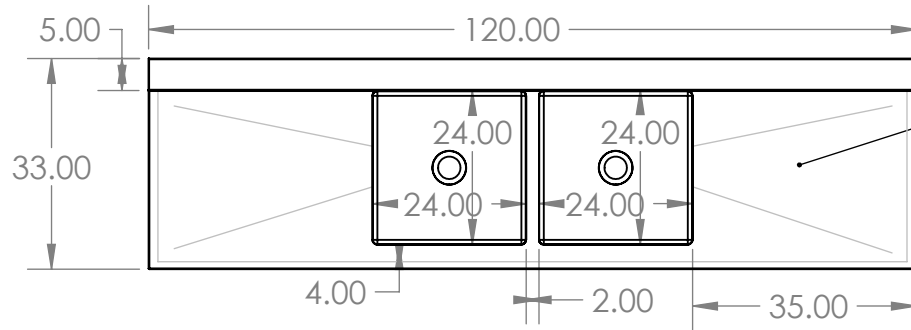
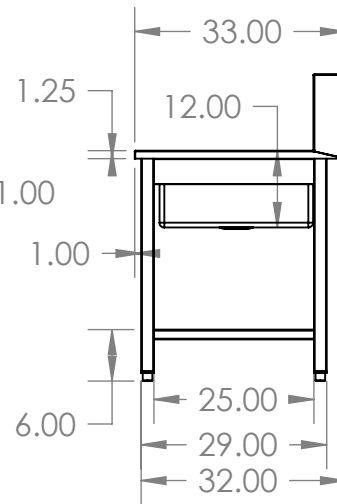


VERTICAL LEGS ARE 2" SQUARE STAINLESS TUBING  
 CROSS STRETCHERS ARE 1.5" SQUARE STAINLESS TUBING

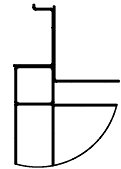


FAUCET STRETCHER  
 W/ CLEARANCE HOLES  
 FOR PLUMBING



SECTION A-A  
 SCALE 1 : 30

4" x 2" Stainless  
 Tube



DETAIL C  
 SCALE 1 : 10

**UNLESS OTHERWISE SPECIFIED:**

DIMENSIONS ARE IN INCHES  
 TOLERANCES:  
 ANGULAR ±2.50°  
 ONE-PLACE ±0.5  
 TWO-PLACE ±0.13

**PROPRIETARY AND CONFIDENTIAL**

THE INFORMATION CONTAINED IN  
 THIS DRAWING IS THE SOLE  
 PROPERTY OF INTER DYNE SYSTEMS.  
 ANY REPRODUCTION IN PART OR  
 AS A WHOLE WITHOUT THE WRITTEN  
 PERMISSION OF INTER DYNE  
 SYSTEMS IS PROHIBITED.

REV.	REVISION DESCRIPTION	DRAWN	CHECKED	DATE	COMMENTS:
A	STANDARD PRINT CREATED	ASR		11/11/20	HAT CHANNEL AND SOUND DEADENER TO BE APPLIED IN FINAL ASSEMBLY
					<b>QTY: N/A</b>



**INTER DYNE  
 SYSTEMS, INC**

676 E. Ellis Rd., Norton Shores, MI 49441  
 Phone: 231-799-8760 Fax: 231-799-9690

**PART NO.**

**RFD-120**

MATERIAL: **14GA**

FINISH: **304 #4**