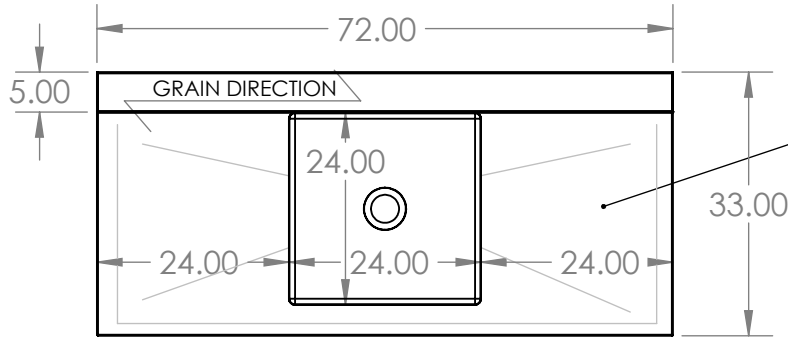
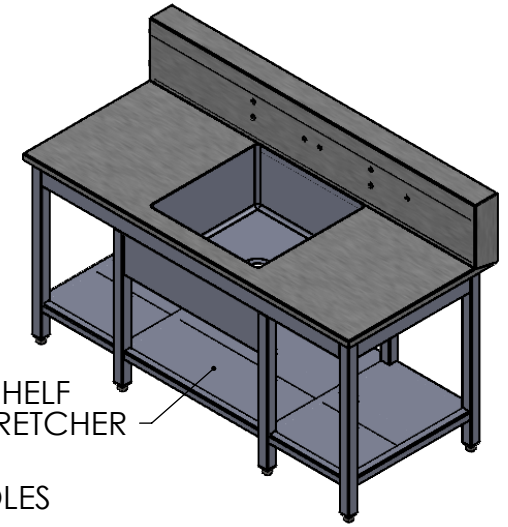


VERTICAL LEGS ARE 2" SQUARE STAINLESS TUBING
 CROSS STRETCHERS ARE 1.5" SQUARE STAINLESS TUBING

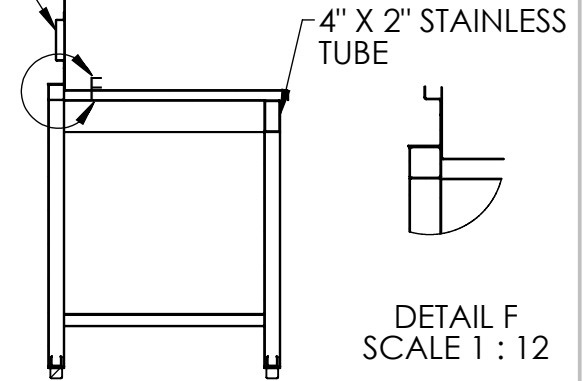
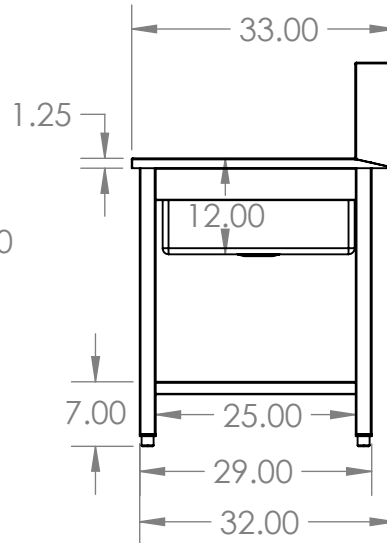
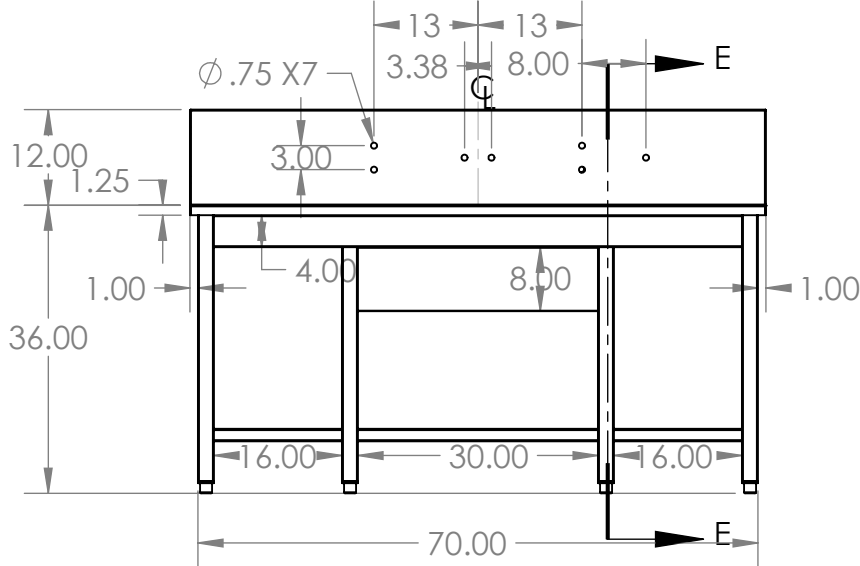


TOP PITCHED AND MARINE EDGE



WELDED SHELF
 W/ CENTER STRETCHER

FAUCET STRETCHER
 W/ CLEARANCE HOLES
 FOR PLUMBING



DETAIL F
 SCALE 1 : 12

SECTION E-E
 SCALE 1 : 24

UNLESS OTHERWISE SPECIFIED:

DIMENSIONS ARE IN INCHES
 TOLERANCES:
 ANGULAR ±2.50°
 ONE-PLACE ±0.5
 TWO-PLACE ±0.13

PROPRIETARY AND CONFIDENTIAL

THE INFORMATION CONTAINED IN
 THIS DRAWING IS THE SOLE
 PROPERTY OF INTER DYNE SYSTEMS.
 ANY REPRODUCTION IN PART OR
 AS A WHOLE WITHOUT THE WRITTEN
 PERMISSION OF INTER DYNE
 SYSTEMS IS PROHIBITED.

REV.	REVISION DESCRIPTION	DRAWN	CHECKED	DATE	COMMENTS:
A	STANDARD PRINT CREATED	ASR		11/11/20	HAT CHANNEL AND SOUND DEADENER TO BE APPLIED IN FINAL ASSEMBLY
					QTY: N/A



**INTER DYNE
 SYSTEMS, INC**

676 E. Ellis Rd., Norton Shores, MI 49441
 Phone: 231-799-8760 Fax: 231-799-9690

PART NO.

RFD-72

MATERIAL: **14GA**

FINISH: **304 #4**