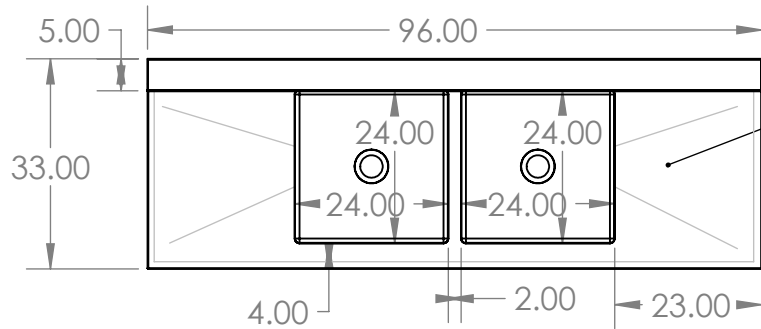
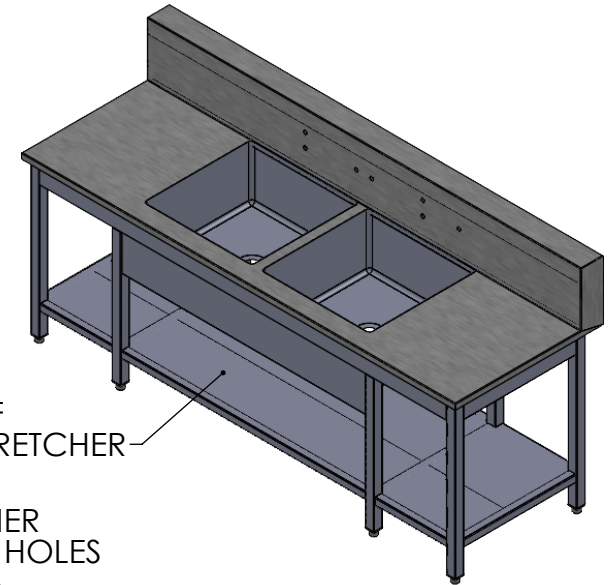


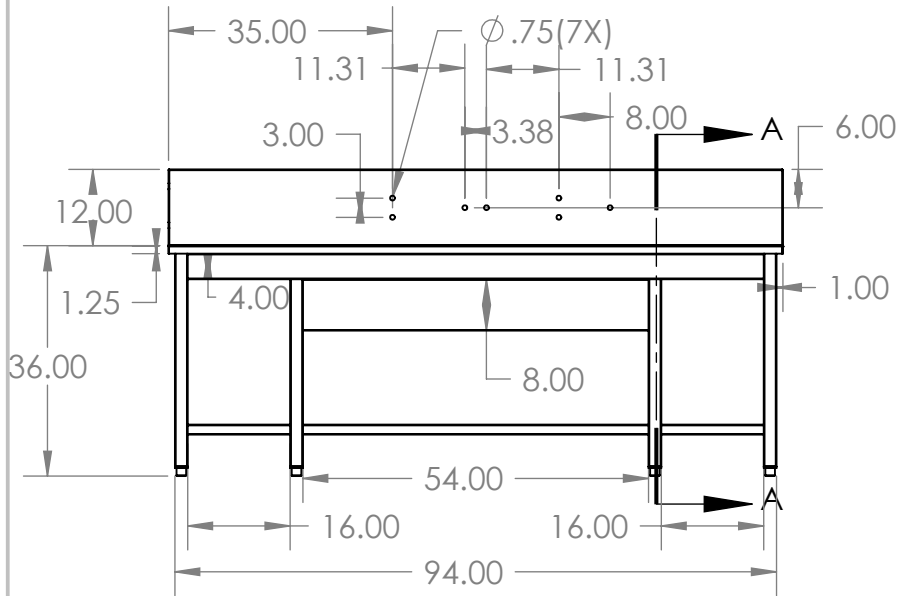
VERTICAL LEGS ARE 2" SQUARE STAINLESS TUBING
 CROSS STRETCHERS ARE 1.5" SQUARE STAINLESS TUBING



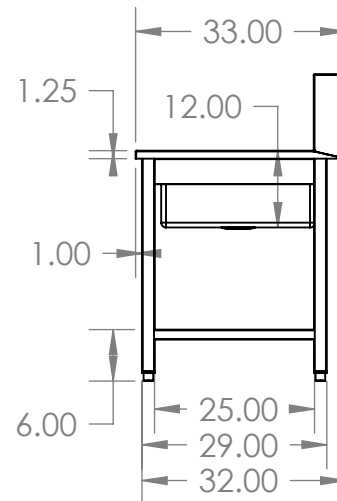
TOP PITCHED AND MARINE EDGE



WELDED SHELF W/ CENTER STRETCHER

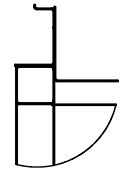


FAUCET STRETCHER W/ CLEARANCE HOLES FOR PLUMBING



SECTION A-A
SCALE 1 : 30

4" x 2" Stainless Tube



DETAIL C
SCALE 1 : 10

UNLESS OTHERWISE SPECIFIED:

DIMENSIONS ARE IN INCHES
 TOLERANCES:
 ANGULAR ±2.50°
 ONE-PLACE ±0.5
 TWO-PLACE ±0.13

PROPRIETARY AND CONFIDENTIAL

THE INFORMATION CONTAINED IN THIS DRAWING IS THE SOLE PROPERTY OF INTER DYNE SYSTEMS. ANY REPRODUCTION IN PART OR AS A WHOLE WITHOUT THE WRITTEN PERMISSION OF INTER DYNE SYSTEMS IS PROHIBITED.

REV.	REVISION DESCRIPTION	DRAWN	CHECKED	DATE	COMMENTS:
A	STANDARD PRINT CREATED	ASR		11/11/20	HAT CHANNEL AND SOUND DEADENER TO BE APPLIED IN FINAL ASSEMBLY
					QTY: N/A



INTER DYNE

SYSTEMS, INC

676 E. Ellis Rd., Norton Shores, MI 49441
 Phone: 231-799-8760 Fax: 231-799-9690

PART NO.

RFD-96

MATERIAL: **14GA**

FINISH: **304 #4**