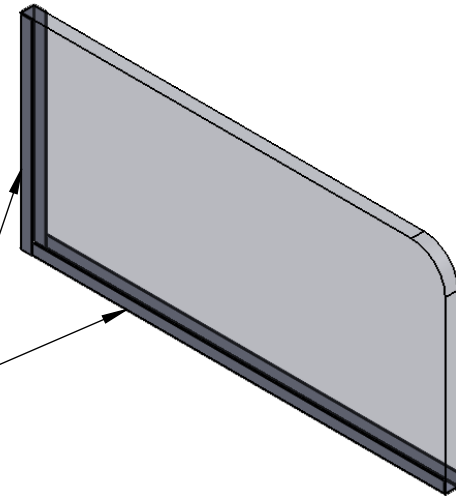


"ASG" Acrylic Splash Guard

Clear acrylic splash guard

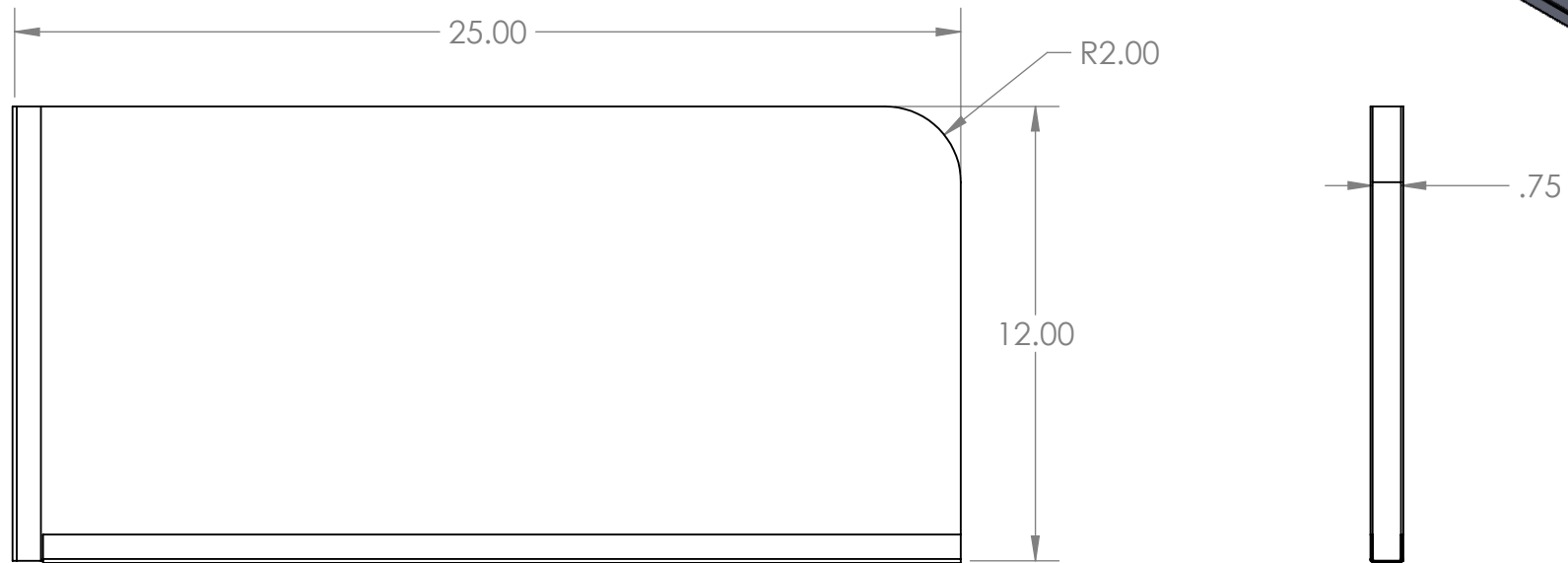
Features

- 25"w x 12"h x 3/4"d
- Eased and flame polished edges
- **OPTIONAL** (Additional Cost)
S/S U-Channel either bottom and side or welded L-shape



OPTIONAL
S/S U-CHANNEL

Product Dimensions



UNLESS OTHERWISE SPECIFIED:

DIMENSIONS ARE IN INCHES
TOLERANCES:
ANGULAR ±2.50°
ONE-PLACE ±0.5
TWO-PLACE ±0.13

PROPRIETARY AND CONFIDENTIAL

THE INFORMATION CONTAINED IN THIS DRAWING IS THE SOLE PROPERTY OF INTER DYNE SYSTEMS. ANY REPRODUCTION IN PART OR AS A WHOLE WITHOUT THE WRITTEN PERMISSION OF INTER DYNE SYSTEMS IS PROHIBITED.

REV.	REVISION DESCRIPTION	DRAWN	CHECKED	DATE	COMMENTS:
A	STANDARD PRINT CREATED	ASR		10/01/20	

QTY: N/A



**INTER DYNE
SYSTEMS, INC**
676 E. Ellis Rd., Norton Shores, MI 49441
Phone: 231-799-8760 Fax: 231-799-9690

PART NO.

ASG-2512-.75

MATERIAL: **.75IN. ACRYLIC** FINISH: **CLEAR**