

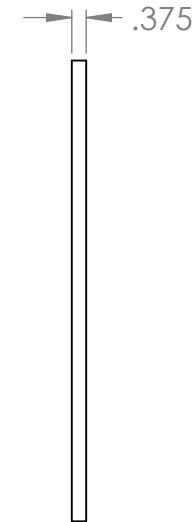
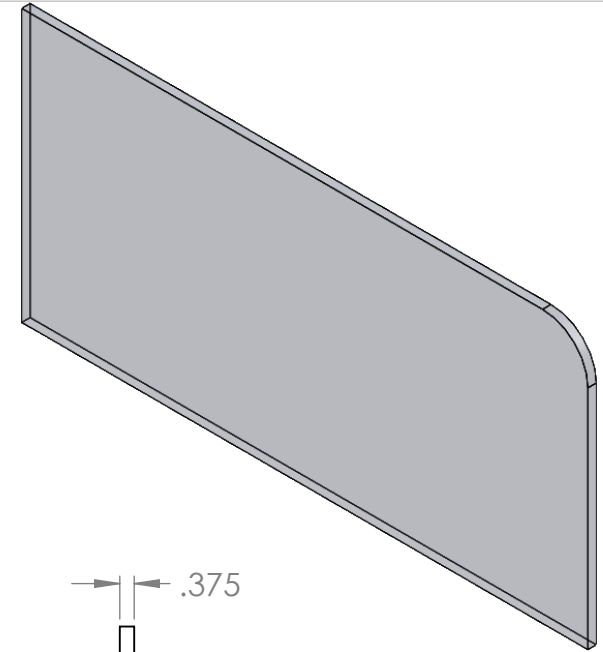
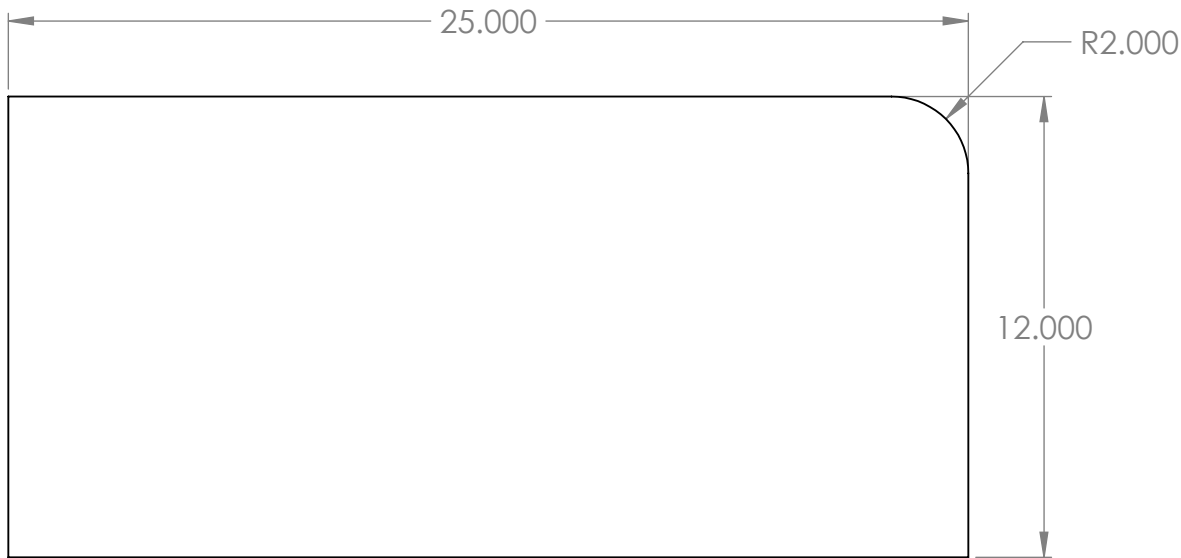
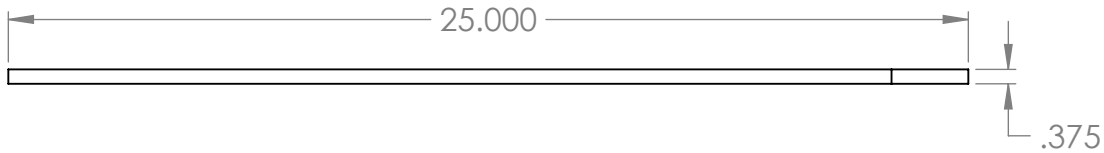
# "ASG" Acrylic Splash Guard

Clear acrylic splash guard

## Features

- 25"w x 12"h x 3/8"d
- Eased and flame polished edges

## Product Dimensions



UNLESS OTHERWISE SPECIFIED:

DIMENSIONS ARE IN INCHES  
 TOLERANCES:  
 FRACTIONAL ±  
 ANGULAR: MACH ± BEND ±  
 TWO PLACE DECIMAL ±  
 THREE PLACE DECIMAL ±

INTERPRET GEOMETRIC  
 TOLERANCING PER:

MATERIAL  
**3/8" CLEAR ACRYLIC**  
 FINISH  
**EDGES EASED & POLISH**

DO NOT SCALE DRAWING

NAME DATE

DRAWN ASR 11/7/2018

CHECKED

ENG APPR.

MFG APPR.

Q.A.

COMMENTS:

INTER DYNE SYSTEM, INC  
 676 E.Ellis Rd., Norton Shores, MI 49441  
 Phone: 231-799-8760 Fax: 231-799-9690

TITLE:

**ASG-2512-0-375**

SIZE  
**A**

DWG. NO.

REV

SCALE: 1:5

WEIGHT:

SHEET 1 OF 1

**PROPRIETARY AND CONFIDENTIAL**

THE INFORMATION CONTAINED IN THIS DRAWING IS THE SOLE PROPERTY OF INTER DYNE SYSTEMS. ANY REPRODUCTION IN PART OR AS A WHOLE WITHOUT THE WRITTEN PERMISSION OF INTERDYNE SYSTEMS IS PROHIBITED.