

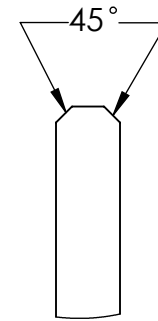
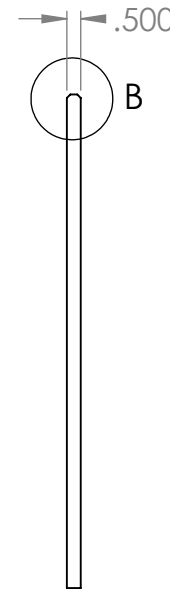
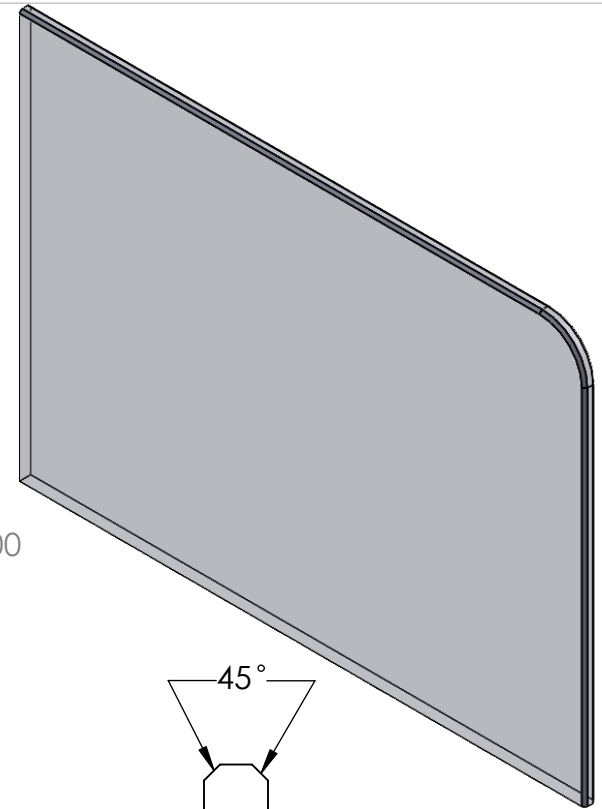
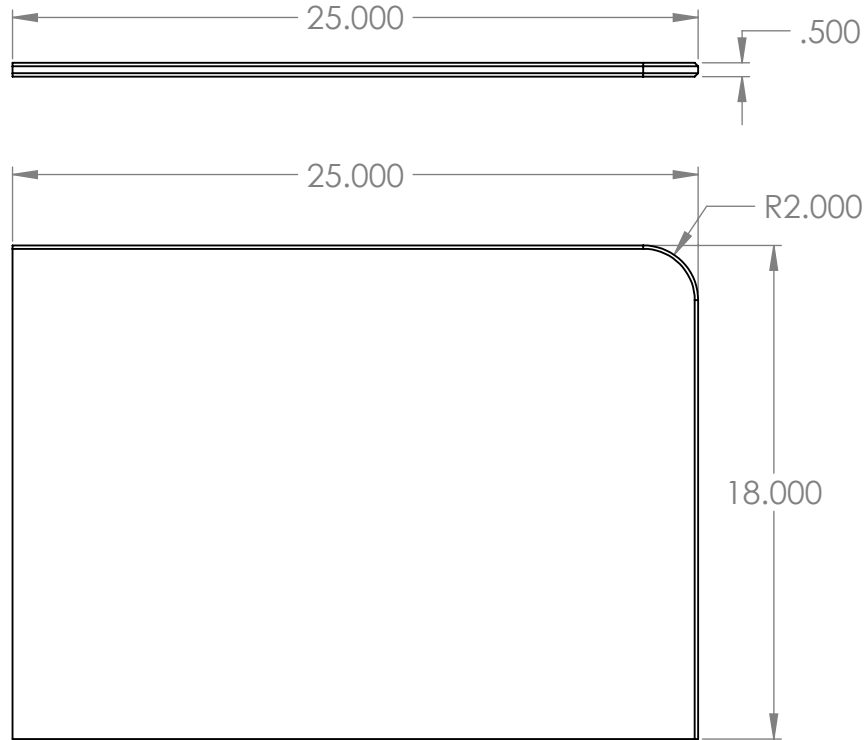
"ASG" Acrylic Splash Guard

Clear acrylic splash guard

Features

- 25"w x 18"h x 1/2"d
- Eased and flame polished edges
- 45° Beveled Edge

Product Dimensions



DETAIL B
SCALE 2 : 3

UNLESS OTHERWISE SPECIFIED:

DIMENSIONS ARE IN INCHES
TOLERANCES:
FRACTIONAL ±
ANGULAR: MACH ± BEND ±
TWO PLACE DECIMAL ±
THREE PLACE DECIMAL ±

INTERPRET GEOMETRIC
TOLERANCING PER:

MATERIAL
1/2" CLEAR ACRYLIC
FINISH
EDGES EASED & POLISH

DO NOT SCALE DRAWING

NAME DATE

DRAWN ASR 11/7/2018

CHECKED

ENG APPR.

MFG APPR.

Q.A.

COMMENTS:

INTER DYNE SYSTEM, INC
676 E.Ellis Rd., Norton Shores, MI 49441
Phone: 231-799-8760 Fax: 231-799-9690

TITLE:

ASG-2518-0-50

SIZE
A

DWG. NO.

REV

SCALE: 1:5

WEIGHT:

SHEET 1 OF 1

PROPRIETARY AND CONFIDENTIAL
THE INFORMATION CONTAINED IN THIS
DRAWING IS THE SOLE PROPERTY OF
INTER DYNE SYSTEMS. ANY
REPRODUCTION IN PART OR AS A WHOLE
WITHOUT THE WRITTEN PERMISSION OF
INTERDYNE SYSTEMS IS
PROHIBITED.