

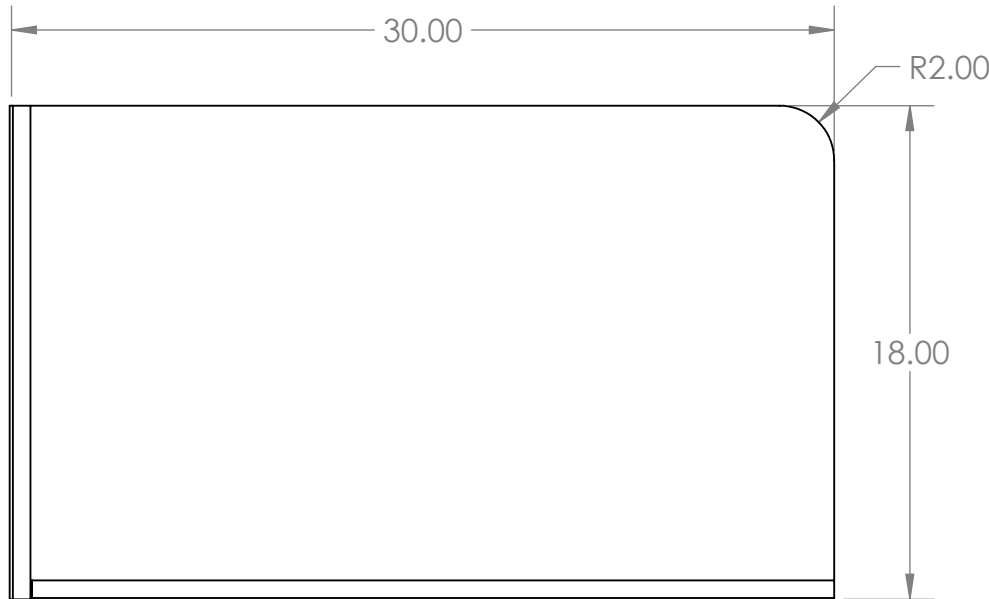
"ASG" Acrylic Splash Guard

Clear acrylic splash guard

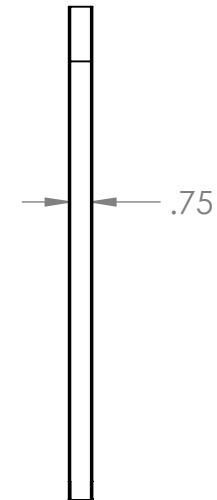
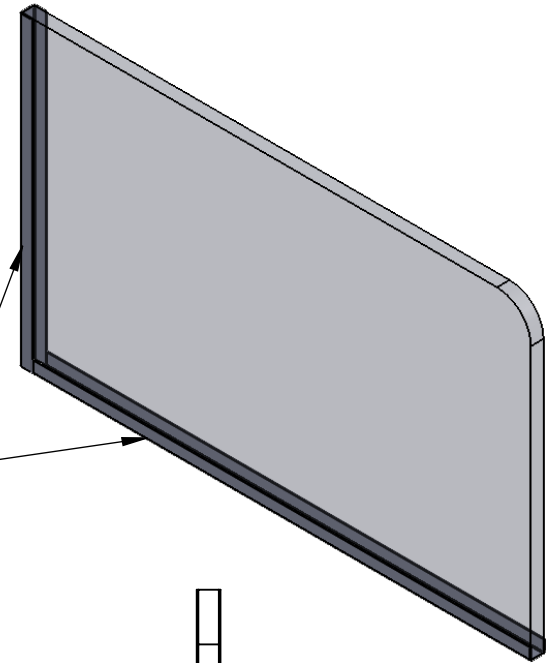
Features

- 30"w x 18"h x 3/4"d
- Eased and flame polished edges
- *OPTIONAL* (Additional Cost) S/S U-Channel either bottom and side or welded L-shape

Product Dimensions



OPTIONAL S/S U-CHANNEL



UNLESS OTHERWISE SPECIFIED:

DIMENSIONS ARE IN INCHES
TOLERANCES:
ANGULAR ±2.50°
ONE-PLACE ±0.5
TWO-PLACE ±0.13

PROPRIETARY AND CONFIDENTIAL

THE INFORMATION CONTAINED IN THIS DRAWING IS THE SOLE PROPERTY OF INTER DYNE SYSTEMS. ANY REPRODUCTION IN PART OR AS A WHOLE WITHOUT THE WRITTEN PERMISSION OF INTER DYNE SYSTEMS IS PROHIBITED.

REV.	REVISION DESCRIPTION	DRAWN	CHECKED	DATE	COMMENTS:
A	STANDARD PRINT CREATED	ASR		10/01/20	
					QTY: N/A



**INTER DYNE
SYSTEMS, INC**

676 E. Ellis Rd., Norton Shores, MI 49441
Phone: 231-799-8760 Fax: 231-799-9690

PART NO.

ASG-3018-.75

MATERIAL: .75IN. ACRYLIC FINISH: CLEAR