

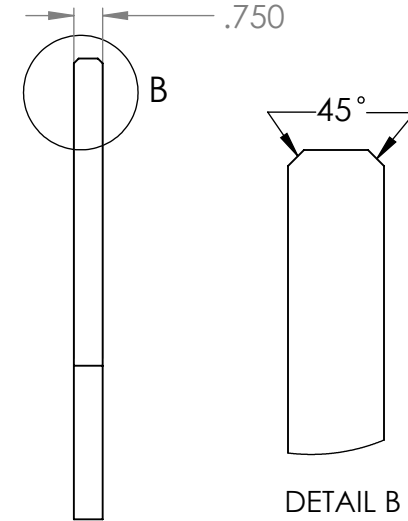
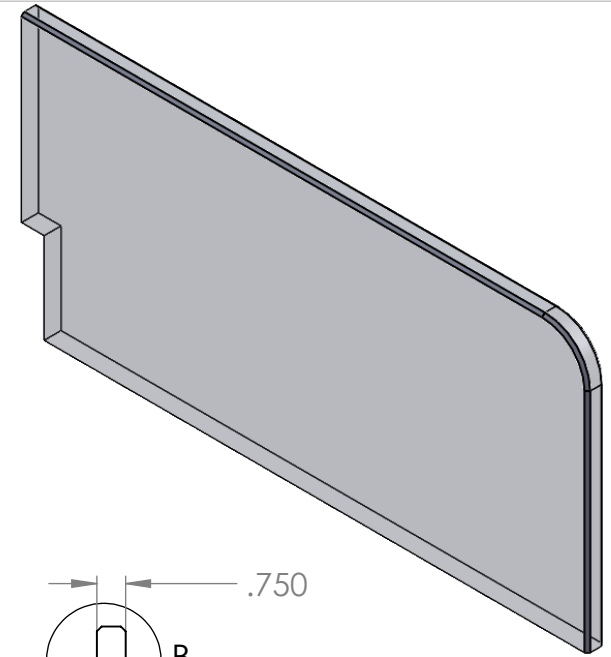
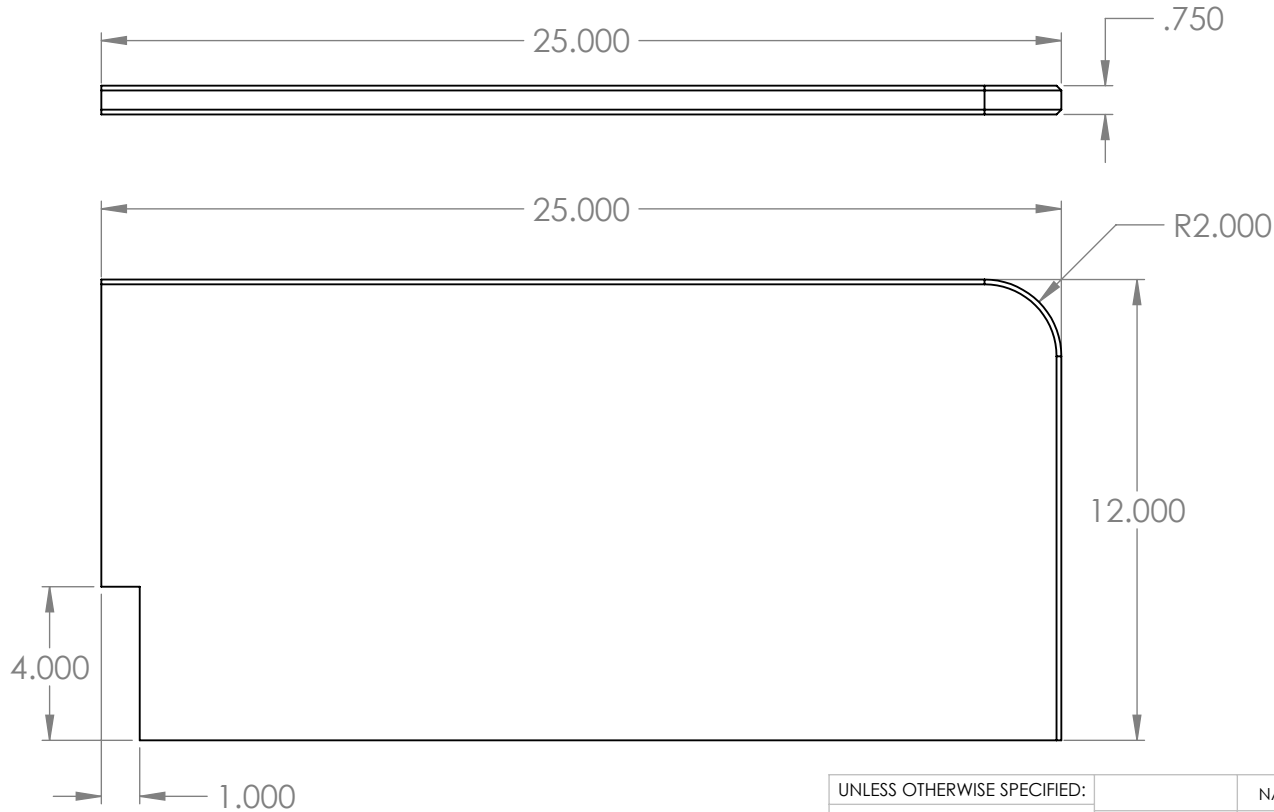
"ASGN" Acrylic Notched Splash Guard

Clear acrylic splash guard with a notch

Features

- 25"w x 12"h x 3/4"d
- 4" x 1" notch
- Eased and flame polished edges
- 45° Beveled Edge

Product Dimensions



DETAIL B
SCALE 2 : 3

UNLESS OTHERWISE SPECIFIED:	NAME	DATE
DIMENSIONS ARE IN INCHES	DRAWN	ASR 11/6/2018
TOLERANCES:	CHECKED	
FRACTIONAL ±	ENG APPR.	
ANGULAR: MACH ± BEND ±	MFG APPR.	
TWO PLACE DECIMAL ±	Q.A.	
THREE PLACE DECIMAL ±	COMMENTS:	
INTERPRET GEOMETRIC TOLERANCING PER:		
MATERIAL		
3/4" CLEAR ACRYLIC		
FINISH		
EDGES EASED & POLISH		
DO NOT SCALE DRAWING		

INTER DYNE SYSTEM, INC 676 E.Ellis Rd., Norton Shores, MI 49441 Phone: 231-799-8760 Fax: 231-799-9690		
TITLE: ASGN-2512-0-75		
SIZE A	DWG. NO.	REV
SCALE: 1:5	WEIGHT:	SHEET 1 OF 1

PROPRIETARY AND CONFIDENTIAL
THE INFORMATION CONTAINED IN THIS DRAWING IS THE SOLE PROPERTY OF INTER DYNE SYSTEMS. ANY REPRODUCTION IN PART OR AS A WHOLE WITHOUT THE WRITTEN PERMISSION OF INTERDYNE SYSTEMS IS PROHIBITED.