

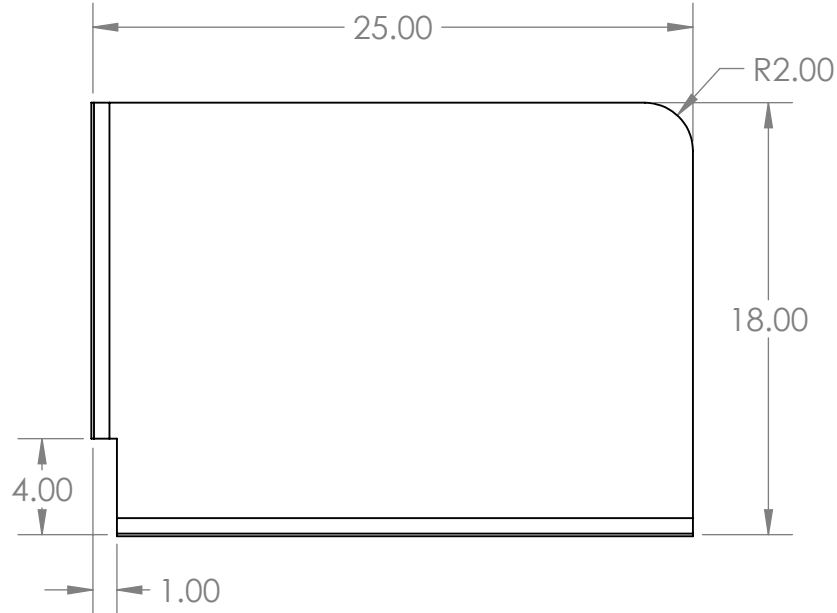
"ASGN" Acrylic Notched Splash Guard

Clear acrylic splash guard with a notch

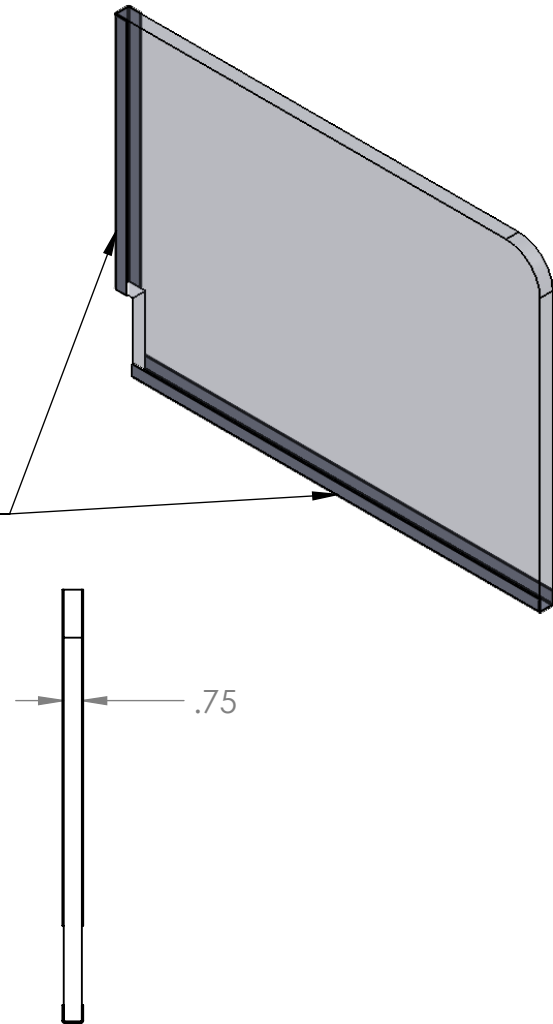
Features

- 25"w x 18"h x 3/4"d
- 4" x 1" notch
- Eased and flame polished edges
- **OPTIONAL** (Additional Cost) S/S U-Channel bottom and side

Product Dimensions



OPTIONAL
S/S U-CHANNEL



UNLESS OTHERWISE SPECIFIED:

DIMENSIONS ARE IN INCHES
TOLERANCES:
ANGULAR ±2.50°
ONE-PLACE ±0.5
TWO-PLACE ±0.13

PROPRIETARY AND CONFIDENTIAL

THE INFORMATION CONTAINED IN THIS DRAWING IS THE SOLE PROPERTY OF INTER DYNE SYSTEMS. ANY REPRODUCTION IN PART OR AS A WHOLE WITHOUT THE WRITTEN PERMISSION OF INTER DYNE SYSTEMS IS PROHIBITED.

REV.	REVISION DESCRIPTION	DRAWN	CHECKED	DATE	COMMENTS:
A	STANDARD PRINT CREATED	ASR		10/01/20	



**INTER DYNE
SYSTEMS, INC**
676 E. Ellis Rd., Norton Shores, MI 49441
Phone: 231-799-8760 Fax: 231-799-9690

PART NO.

ASGN-2518-.75

QTY: N/A

MATERIAL: **.75IN. ACRYLIC** FINISH: **CLEAR**