

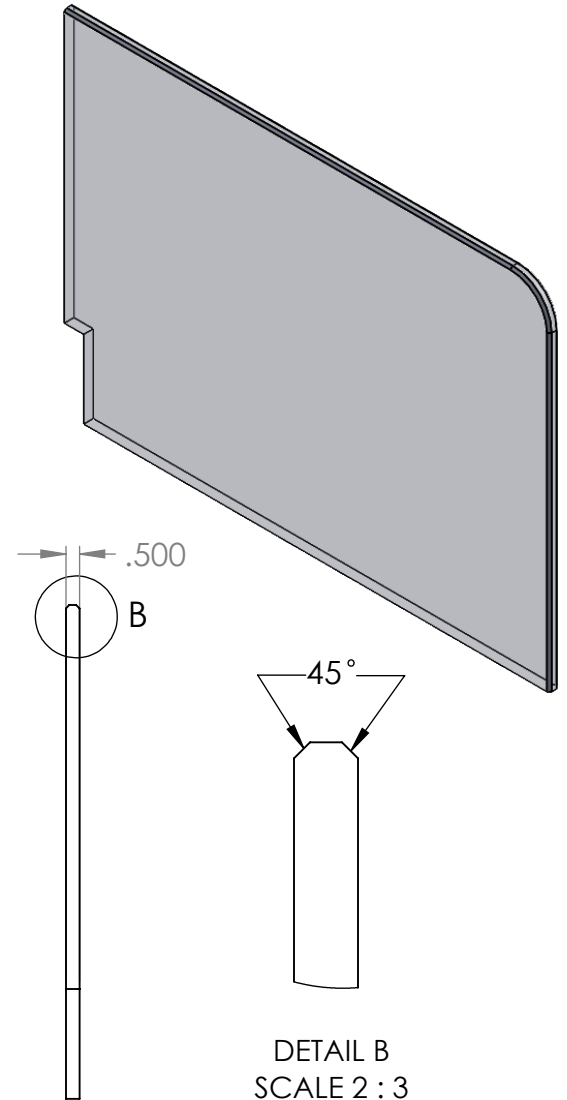
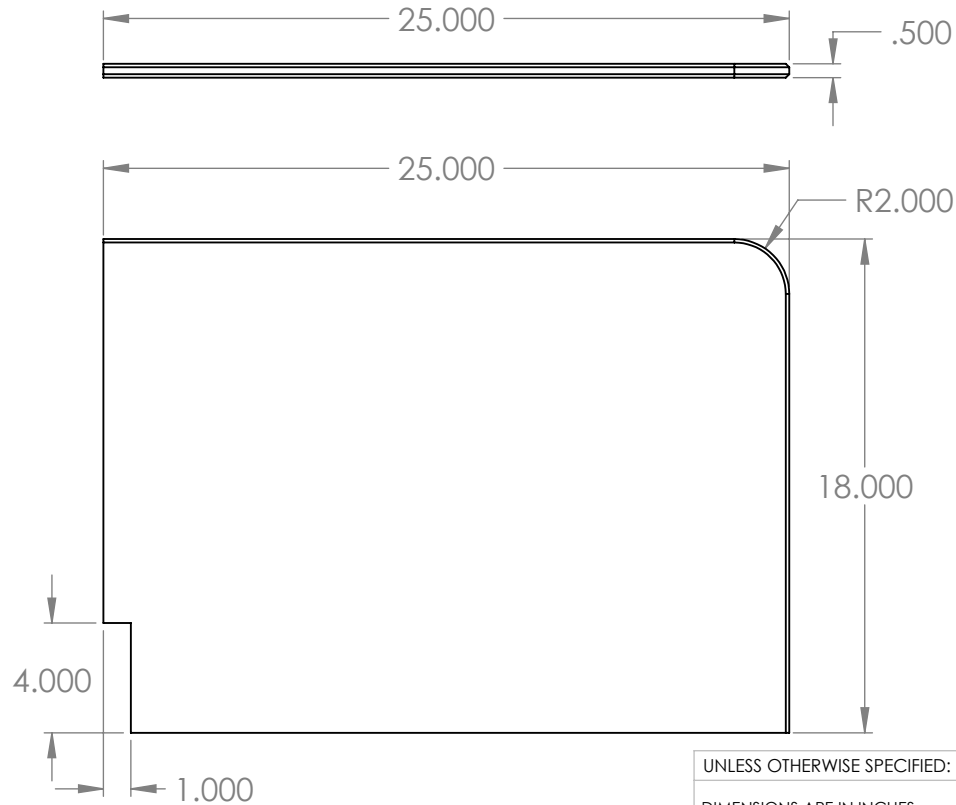
# "ASGN" Acrylic Notched Splash Guard

Clear acrylic splash guard with a notch

## Features

- 25"w x 18"h x 1/2"d
- 4" x 1" notch
- Eased and flame polished edges
- 45° Beveled Edge

## Product Dimensions



UNLESS OTHERWISE SPECIFIED:

DIMENSIONS ARE IN INCHES  
TOLERANCES:  
FRACTIONAL ±  
ANGULAR: MACH ± BEND ±  
TWO PLACE DECIMAL ±  
THREE PLACE DECIMAL ±

INTERPRET GEOMETRIC TOLERANCING PER:

MATERIAL  
1/2" CLEAR ACRYLIC  
FINISH  
EDGES EASED & POLISH

DO NOT SCALE DRAWING

	NAME	DATE
DRAWN	ASR	11/6/2018
CHECKED		
ENG APPR.		
MFG APPR.		
Q.A.		
COMMENTS:		

INTER DYNE SYSTEM, INC  
676 E.Ellis Rd., Norton Shores, MI 49441  
Phone: 231-799-8760 Fax: 231-799-9690

TITLE:  
**ASGN-2518-0-50**

SIZE	DWG. NO.	REV
<b>A</b>		
SCALE: 1:5	WEIGHT:	SHEET 1 OF 1

**PROPRIETARY AND CONFIDENTIAL**  
THE INFORMATION CONTAINED IN THIS DRAWING IS THE SOLE PROPERTY OF INTER DYNE SYSTEMS. ANY REPRODUCTION IN PART OR AS A WHOLE WITHOUT THE WRITTEN PERMISSION OF INTERDYNE SYSTEMS IS PROHIBITED.