

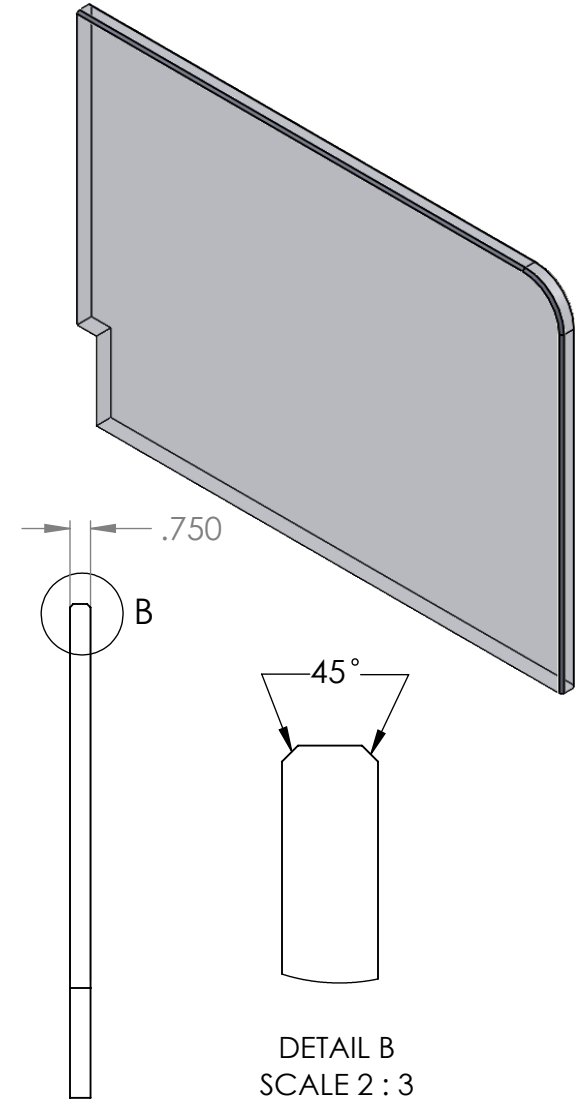
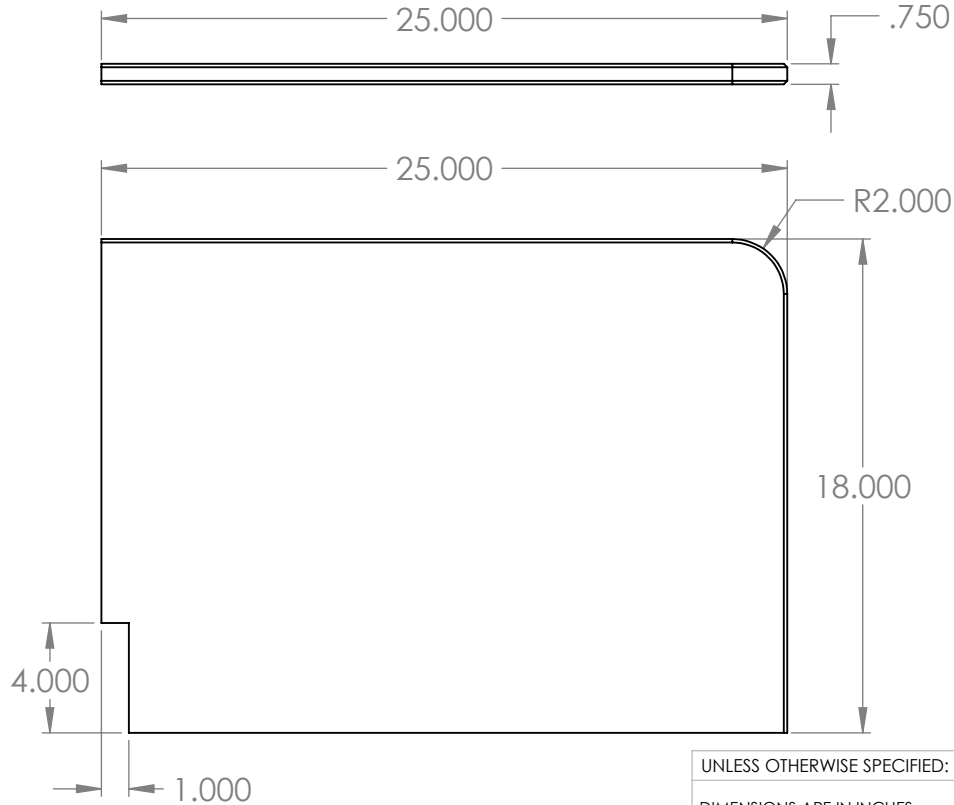
# "ASGN" Acrylic Notched Splash Guard

Clear acrylic splash guard with a notch

## Features

- 25"w x 18"h x 3/4"d
- 4" x 1" notch
- Eased and flame polished edges
- 45° Beveled Edge

## Product Dimensions



UNLESS OTHERWISE SPECIFIED:

DIMENSIONS ARE IN INCHES  
 TOLERANCES:  
 FRACTIONAL ±  
 ANGULAR: MACH ± BEND ±  
 TWO PLACE DECIMAL ±  
 THREE PLACE DECIMAL ±

INTERPRET GEOMETRIC TOLERANCING PER:

MATERIAL  
**3/4" CLEAR ACRYLIC**  
 FINISH  
**EDGES EASED & POLISH**

DO NOT SCALE DRAWING

NAME	DATE
ASR	11/6/2018

DRAWN  
 CHECKED  
 ENG APPR.  
 MFG APPR.

Q.A.  
 COMMENTS:

INTER DYNE SYSTEM, INC  
 676 E.Ellis Rd., Norton Shores, MI 49441  
 Phone: 231-799-8760 Fax: 231-799-9690

TITLE:

**ASGN-2518-0-75**

SIZE <b>A</b>	DWG. NO.	REV
------------------	----------	-----

SCALE: 1:5	WEIGHT:	SHEET 1 OF 1
------------	---------	--------------

**PROPRIETARY AND CONFIDENTIAL**  
 THE INFORMATION CONTAINED IN THIS DRAWING IS THE SOLE PROPERTY OF INTER DYNE SYSTEMS. ANY REPRODUCTION IN PART OR AS A WHOLE WITHOUT THE WRITTEN PERMISSION OF INTERDYNE SYSTEMS IS PROHIBITED.