

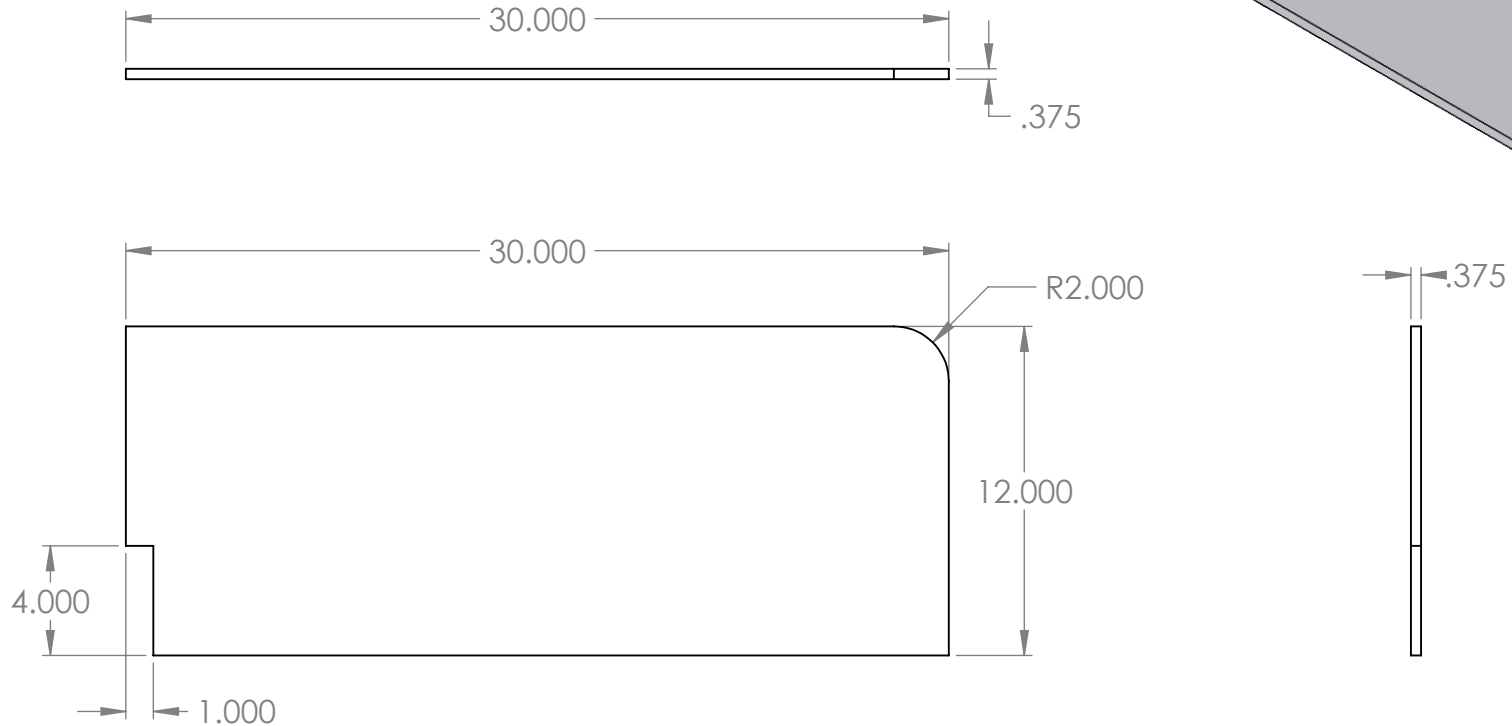
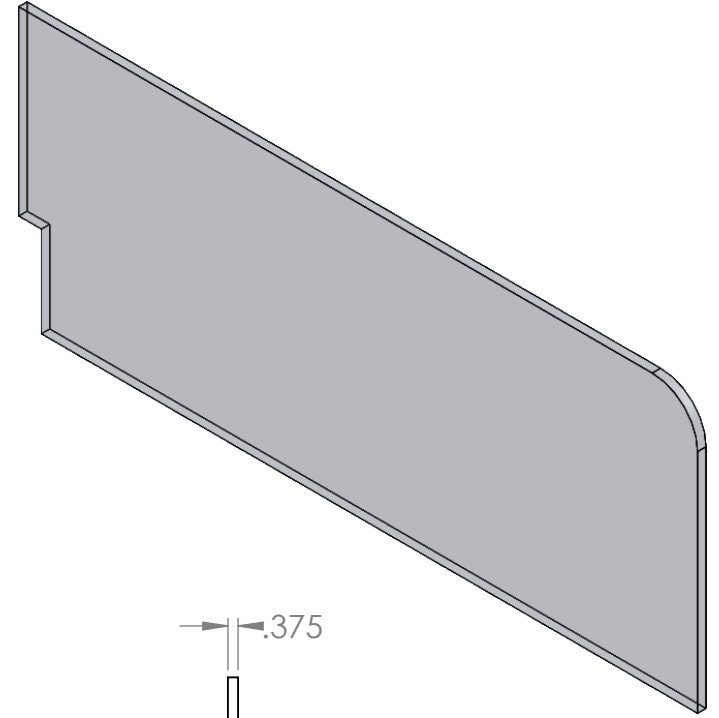
"ASGN" Acrylic Notched Splash Guard

Clear acrylic splash guard with a notch

Features

- 30"w x 12"h x 3/8"d
- 4" x 1" notch
- Eased and flame polished edges

Product Dimensions



UNLESS OTHERWISE SPECIFIED:		NAME	DATE	INTER DYNE SYSTEM, INC 676 E.Ellis Rd., Norton Shores, MI 49441 Phone: 231-799-8760 Fax: 231-799-9690 TITLE: <h1>ASGN-3012-0-375</h1>		
DIMENSIONS ARE IN INCHES		DRAWN	ASR			11/6/2018
TOLERANCES:		CHECKED				
FRACTIONAL ±		ENG APPR.				
ANGULAR: MACH ± BEND ±		MFG APPR.				
TWO PLACE DECIMAL ±		Q.A.				
THREE PLACE DECIMAL ±		COMMENTS:				
INTERPRET GEOMETRIC TOLERANCING PER:				SIZE	DWG. NO.	
MATERIAL				A		
3/8" CLEAR ACRYLIC				SCALE: 1:5	WEIGHT:	
FINISH					SHEET 1 OF 1	
EDGES EASED & POLISH						
DO NOT SCALE DRAWING						

PROPRIETARY AND CONFIDENTIAL
 THE INFORMATION CONTAINED IN THIS DRAWING IS THE SOLE PROPERTY OF INTER DYNE SYSTEMS. ANY REPRODUCTION IN PART OR AS A WHOLE WITHOUT THE WRITTEN PERMISSION OF INTERDYNE SYSTEMS IS PROHIBITED.