

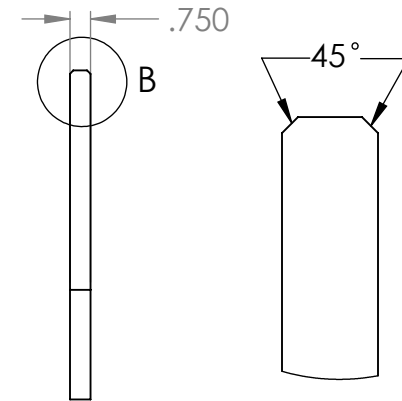
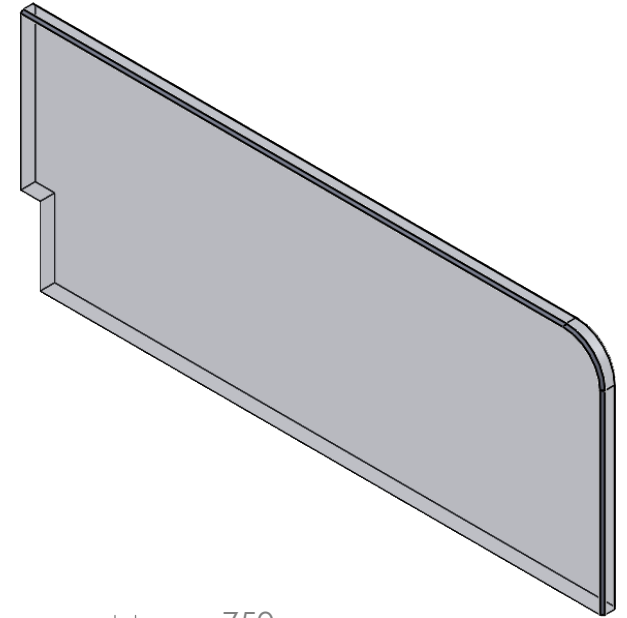
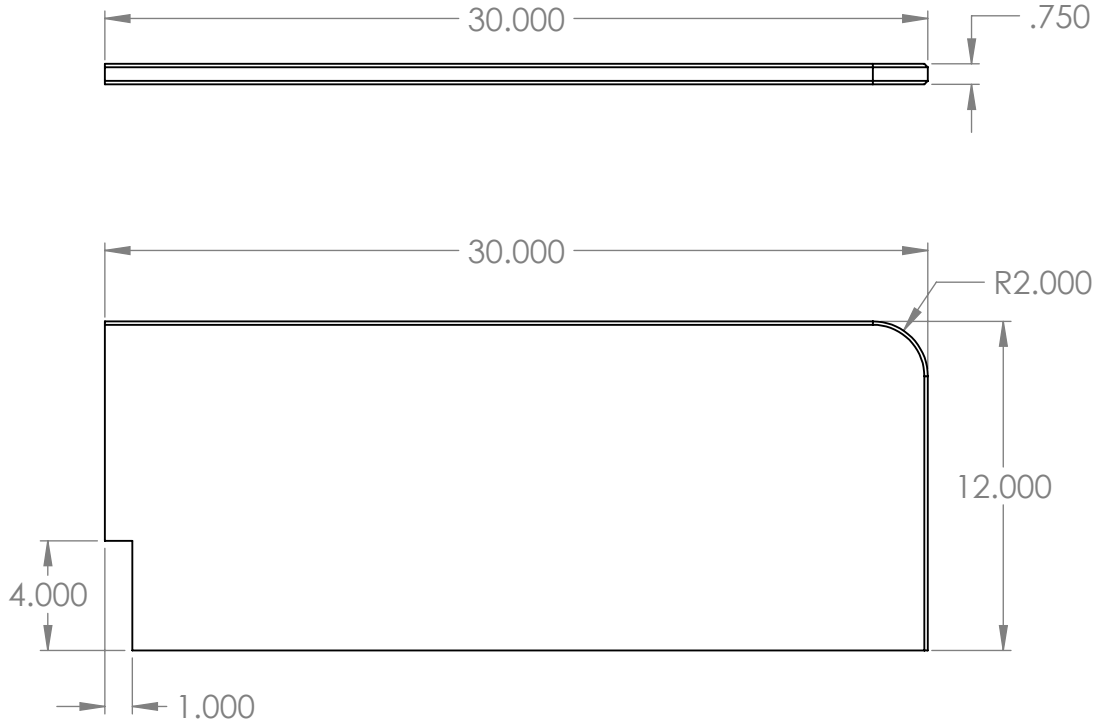
"ASGN" Acrylic Notched Splash Guard

Clear acrylic splash guard with a notch

Features

- 30"w x 12"h x 3/4"d
- 4" x 1" notch
- Eased and flame polished edges
- 45° Beveled Edge

Product Dimensions



DETAIL B
SCALE 2 : 3

UNLESS OTHERWISE SPECIFIED:		NAME	DATE	INTER DYNE SYSTEM, INC 676 E.Ellis Rd., Norton Shores, MI 49441 Phone: 231-799-8760 Fax: 231-799-9690 TITLE: <h1>ASGN-3012-0-75</h1>
DIMENSIONS ARE IN INCHES		DRAWN	ASR 11/6/2018	
TOLERANCES:		CHECKED		
FRACTIONAL ±		ENG APPR.		
ANGULAR: MACH ± BEND ±		MFG APPR.		
TWO PLACE DECIMAL ±		Q.A.		
THREE PLACE DECIMAL ±		COMMENTS:		
INTERPRET GEOMETRIC TOLERANCING PER:				SIZE DWG. NO. REV A
MATERIAL				SCALE: 1:5 WEIGHT: SHEET 1 OF 1
3/4" CLEAR ACRYLIC				
FINISH				
EDGES EASED & POLISH				
DO NOT SCALE DRAWING				

PROPRIETARY AND CONFIDENTIAL
 THE INFORMATION CONTAINED IN THIS DRAWING IS THE SOLE PROPERTY OF INTER DYNE SYSTEMS. ANY REPRODUCTION IN PART OR AS A WHOLE WITHOUT THE WRITTEN PERMISSION OF INTERDYNE SYSTEMS IS PROHIBITED.