

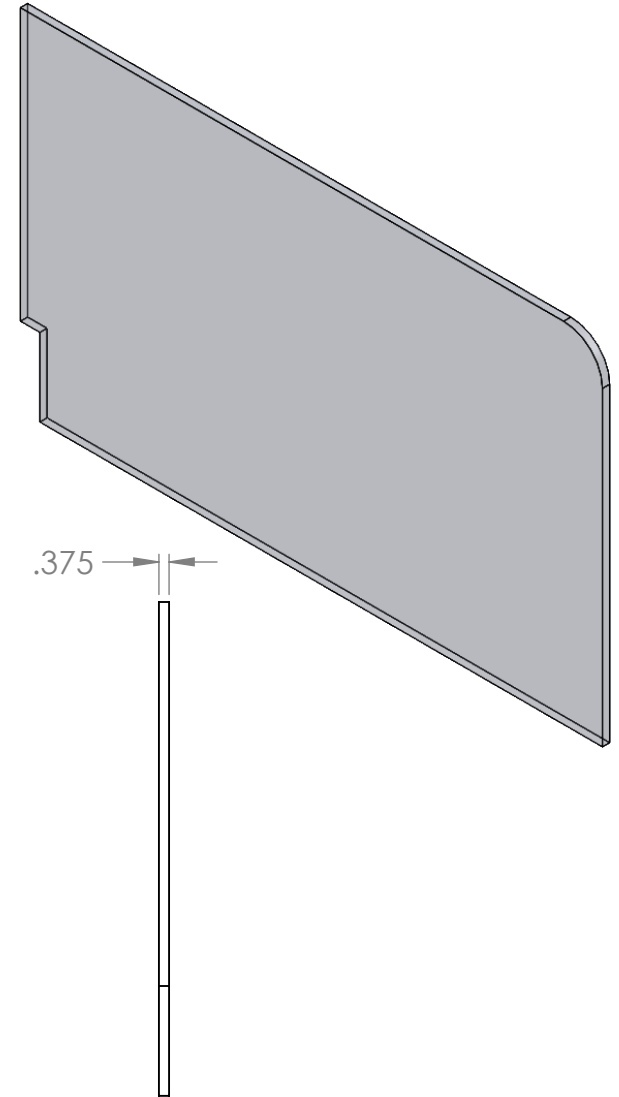
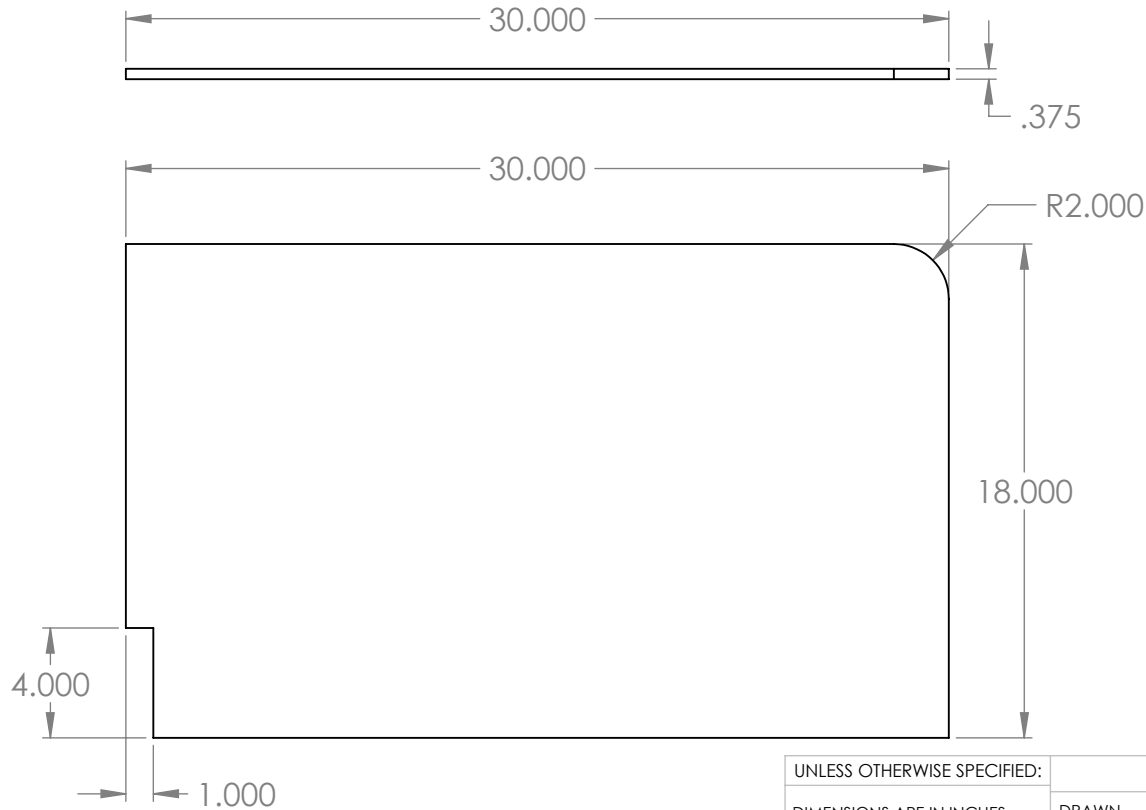
## "ASGN" Acrylic Notched Splash Guard

Clear acrylic splash guard  
with a notch

## Features

- 30"w x 18"h x 3/8"d
- 4" x 1" notch
- Eased and flame polished edges

## Product Dimensions



UNLESS OTHERWISE SPECIFIED:

DIMENSIONS ARE IN INCHES  
TOLERANCES:  
FRACTIONAL ±  
ANGULAR: MACH ± BEND ±  
TWO PLACE DECIMAL ±  
THREE PLACE DECIMAL ±

INTERPRET GEOMETRIC  
TOLERANCING PER:

MATERIAL  
3/8" CLEAR ACRYLIC  
FINISH  
EDGES EASED & POLISH

DO NOT SCALE DRAWING

NAME DATE

DRAWN ASR 11/6/2018

CHECKED

ENG APPR.

MFG APPR.

Q.A.

COMMENTS:

INTER DYNE SYSTEM, INC  
676 E.Ellis Rd., Norton Shores, MI 49441  
Phone: 231-799-8760 Fax: 231-799-9690

TITLE:

ASGN-3018-0-375

SIZE DWG. NO.

A

REV

SCALE: 1:5

WEIGHT:

SHEET 1 OF 1

### PROPRIETARY AND CONFIDENTIAL

THE INFORMATION CONTAINED IN THIS  
DRAWING IS THE SOLE PROPERTY OF  
INTER DYNE SYSTEMS. ANY  
REPRODUCTION IN PART OR AS A WHOLE  
WITHOUT THE WRITTEN PERMISSION OF  
INTERDYNE SYSTEMS IS  
PROHIBITED.