

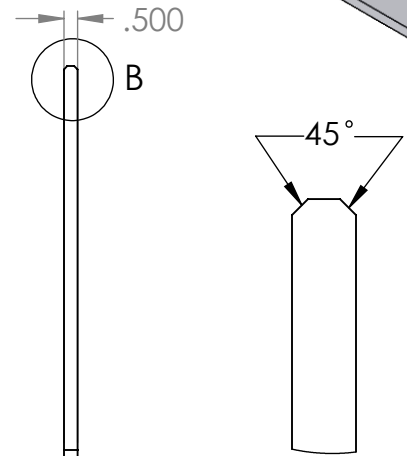
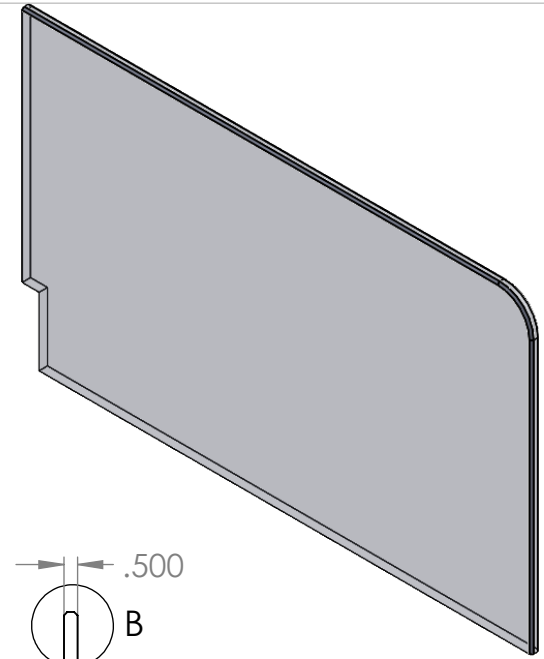
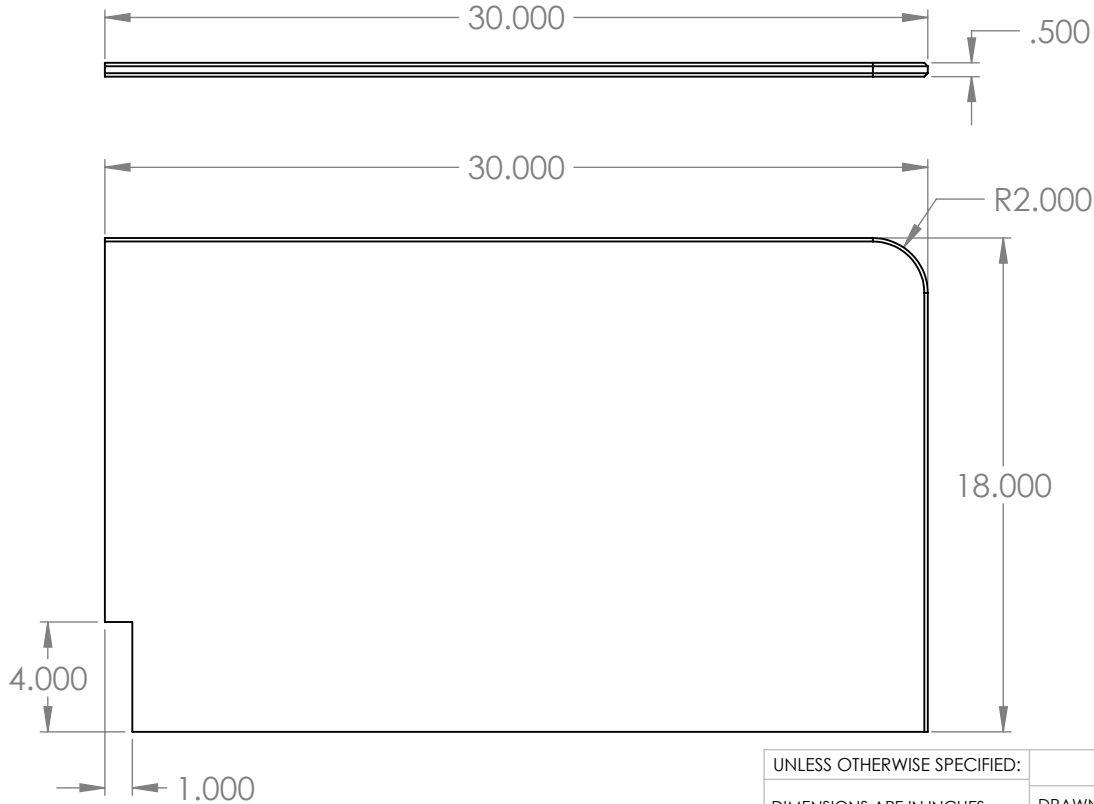
"ASGN" Acrylic Notched Splash Guard

Clear acrylic splash guard with a notch

Features

- 30"w x 18"h x 1/2"d
- 4" x 1" notch
- Eased and flame polished edges
- 45° Beveled Edge

Product Dimensions



DETAIL B
SCALE 2 : 3

UNLESS OTHERWISE SPECIFIED:

DIMENSIONS ARE IN INCHES
TOLERANCES:
FRACTIONAL ±
ANGULAR: MACH ± BEND ±
TWO PLACE DECIMAL ±
THREE PLACE DECIMAL ±

INTERPRET GEOMETRIC
TOLERANCING PER:

MATERIAL
1/2" CLEAR ACRYLIC
FINISH
EDGES EASED & POLISH

DO NOT SCALE DRAWING

NAME	DATE
ASR	11/6/2018

DRAWN

CHECKED

ENG APPR.

MFG APPR.

Q.A.

COMMENTS:

INTER DYNE SYSTEM, INC
676 E.Ellis Rd., Norton Shores, MI 49441
Phone: 231-799-8760 Fax: 231-799-9690

TITLE:

ASGN-3018-0-50

SIZE
A

DWG. NO.

REV

SCALE: 1:5

WEIGHT:

SHEET 1 OF 1

PROPRIETARY AND CONFIDENTIAL
THE INFORMATION CONTAINED IN THIS DRAWING IS THE SOLE PROPERTY OF INTER DYNE SYSTEMS. ANY REPRODUCTION IN PART OR AS A WHOLE WITHOUT THE WRITTEN PERMISSION OF INTERDYNE SYSTEMS IS PROHIBITED.