

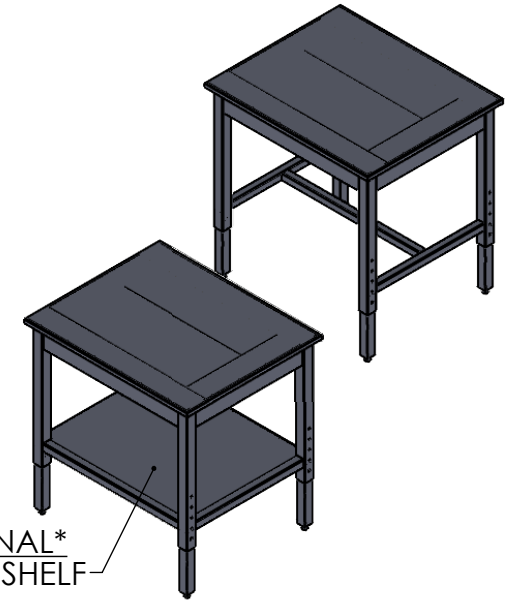
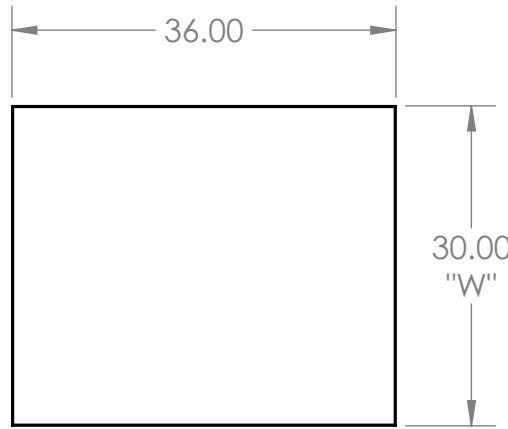
## Countertop with ADJ Frame

## Product Dimensions

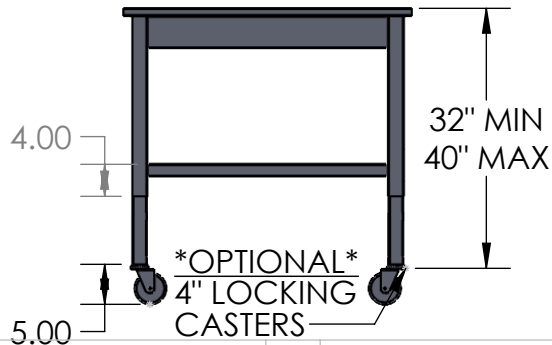
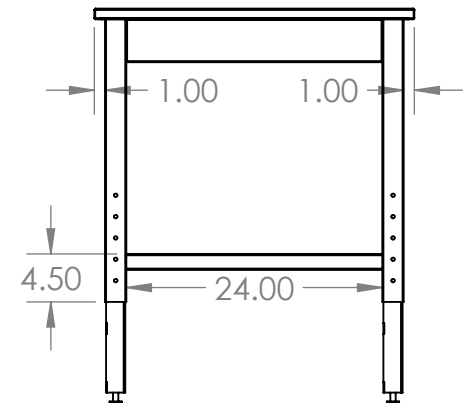
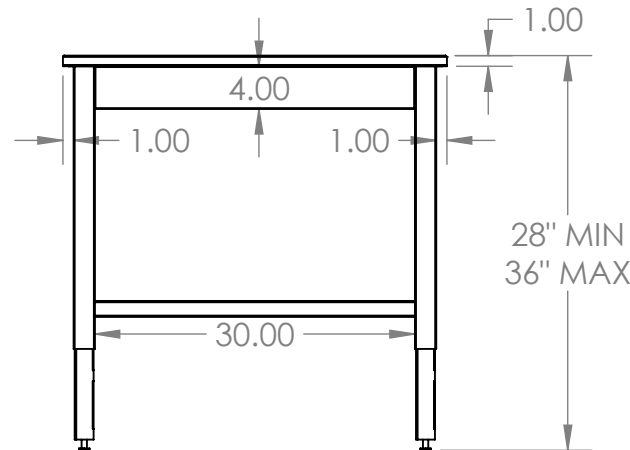
Stainless Steel Flat Countertop with Adjustable  
Stainless Steel Frame.

### Features

- 36"l x 30"w x 1"t
- S/S - 2" x 2" square tubing adjustable legs
- S/S - 1.5" x 1.5" square tubing stretchers
- S/S - 4" Weld on Rails on all four sides
- 4 - Adjustable Leveler Feet
- Available in 24", 30" & 36" Depth
- Supplied manual locking 3/8" diameter clevis pins for adjusting table height
- **\*OPTIONAL\***  
S/S - Fixed/Removable Lower Shelf
- **\*OPTIONAL\***  
4" Locking Casters instead of leveler feet



**\*OPTIONAL\***  
**LOWER SHELF**



**UNLESS OTHERWISE SPECIFIED:**

DIMENSIONS ARE IN INCHES  
TOLERANCES:  
ANGULAR ±2.50°  
ONE-PLACE ±0.5  
TWO-PLACE ±0.13

**PROPRIETARY AND CONFIDENTIAL**

THE INFORMATION CONTAINED IN THIS DRAWING IS THE SOLE PROPERTY OF INTER DYNE SYSTEMS. ANY REPRODUCTION IN PART OR AS A WHOLE WITHOUT THE WRITTEN PERMISSION OF INTER DYNE SYSTEMS IS PROHIBITED.

REV.	REVISION DESCRIPTION	DRAWN	CHECKED	DATE	COMMENTS:
A	STANDARD PRINT CREATED	ASR		10/19/20	HAT CHANNEL AND SOUND DEADENER TO BE APPLIED IN FINAL ASSEMBLY
					<b>QTY: N/A</b>



**INTER DYNE SYSTEMS, INC**

676 E. Ellis Rd., Norton Shores, MI 49441  
Phone: 231-799-8760 Fax: 231-799-9690

**PART NO.**

**36 X 30 X 1-CTOP & ADJ FRAME**

MATERIAL: **16GA**

FINISH: **304**