

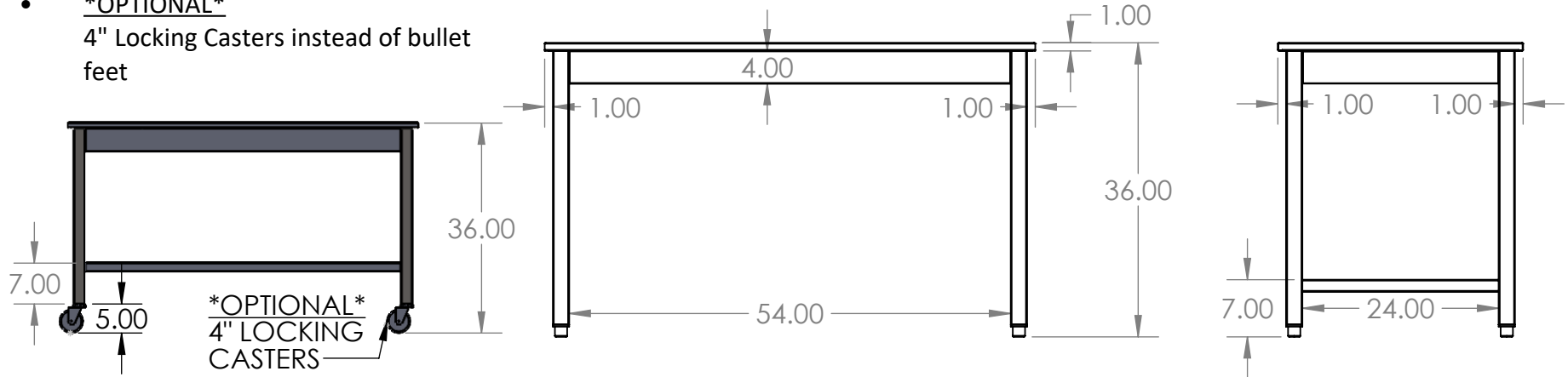
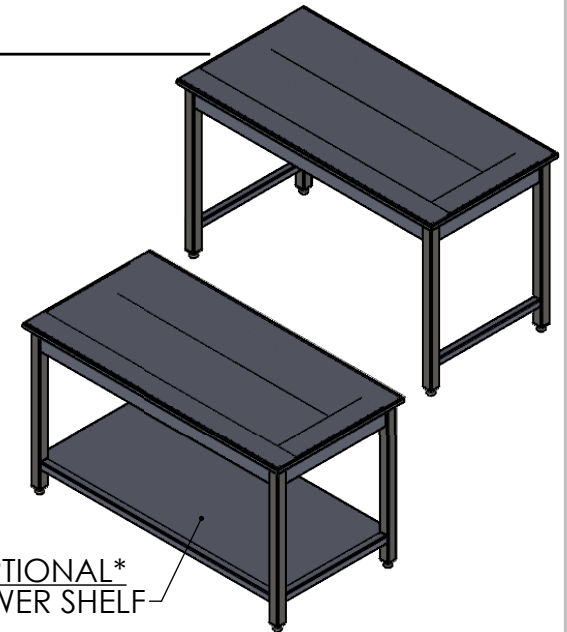
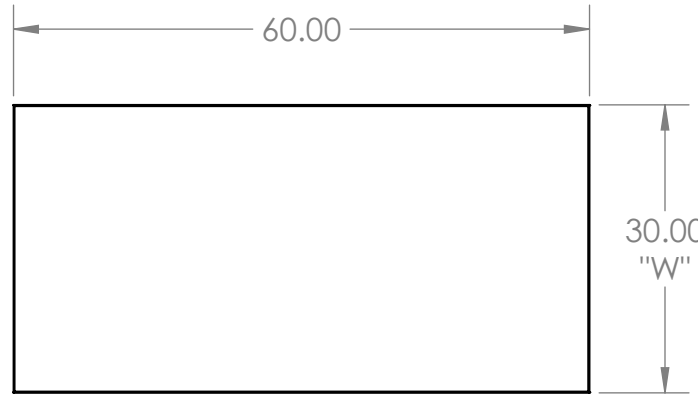
## Countertop with Frame

Stainless Steel Flat Countertop with  
Stainless Steel Frame.

### Features

- 60"l x 30"w x 1"t
- S/S - 2" x 2" square tubing legs
- S/S - 1.5" x 1.5" square tubing stretchers
- S/S - 4" Weld on Rails on all four sides
- 4 - Adjustable Bullet Feet
- Available in 24", 30" & 36" Depth
- \*OPTIONAL\*  
S/S - Fixed/Removable Lower Shelf
- \*OPTIONAL\*  
4" Locking Casters instead of bullet feet

## Product Dimensions



#### UNLESS OTHERWISE SPECIFIED:

DIMENSIONS ARE IN INCHES  
TOLERANCES:  
ANGULAR ±2.50°  
ONE-PLACE ±0.5  
TWO-PLACE ±0.13

#### PROPRIETARY AND CONFIDENTIAL

THE INFORMATION CONTAINED IN  
THIS DRAWING IS THE SOLE  
PROPERTY OF INTER DYNE SYSTEMS.  
ANY REPRODUCTION IN PART OR  
AS A WHOLE WITHOUT THE WRITTEN  
PERMISSION OF INTER DYNE  
SYSTEMS IS PROHIBITED.

REV.	REVISION DESCRIPTION	DRAWN	CHECKED	DATE	COMMENTS:
A	STANDARD PRINT CREATED	ASR		10/07/20	HAT CHANNEL AND SOUND DEADENER TO BE APPLIED IN FINAL ASSEMBLY
					<b>QTY: N/A</b>



**INTER DYNE  
SYSTEMS, INC**

676 E. Ellis Rd., Norton Shores, MI 49441  
Phone: 231-799-8760 Fax: 231-799-9690

**PART NO.**

**60 X 30 X 1- CTOP & FRAME**

MATERIAL: **16GA**

FINISH: **304**